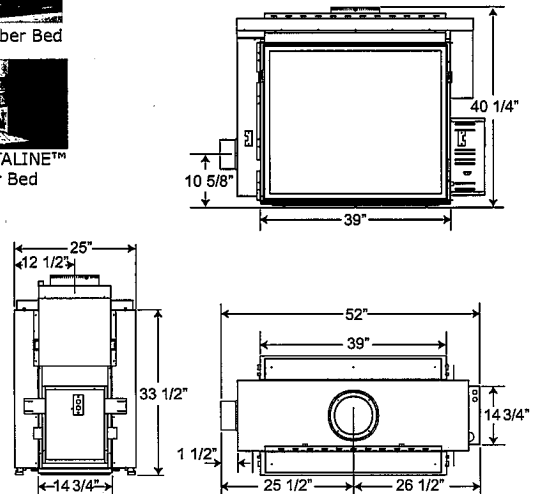




# AVAILABLE NOW

## HD81 High Definition See-Thru Gas Fireplace

The HD81 is the first see-thru direct vent fireplace in the industry to offer such dynamic choices for firebox design options. Besides supplying two rooms with exceptional focal points, the HD81 also offers the choice of a traditional PHAZER® log set, a modern crystal ember bed or glowing river rock setting (coming soon!). Any of these 3 design choices create an exciting environment for any home.



CRYSTALINE™ Ember Bed  
with Porcelain Reflective Radiant Panels

### NAPOLEON'S EXCLUSIVE FEATURES

- Innovative, split burner system produces a beautiful YELLOW DANCING FLAME® pattern and provides a huge heating range from 22,000 BTU's to 60,000 BTU's
- Exclusive dual Night Light™ system illuminates the ember bed and firebox while gently adding a glow to the room, even when the fireplace is off
- Optional high output blower system, which can be remotely located for WHISPER QUIET™ operation, pushes the heat out from above the door openings with SPLIT ZONE™ control (blower can operate out of either or both sides, fully adjustable for directing air flow - in whichever room you prefer extra heat)
- Choice of Napoleon's traditional PHAZER® logs or CRYSTALINE™ ember bed (River Rock option coming soon)
- Up to 60,000 BTU's
- 8" & 10" direct venting
- See-thru, clean face design can be enjoyed from two separate rooms
- Fuel saving electronic ignition
- Convenient hand-held remote, controlling the flame, blower and Night Light™ comes standard with the unit
- Perfect for residential or commercial use
- Optional Porcelain Reflective Radiant Panels or decorative Sandstone panels are available
- Optional Power Vent kit makes difficult installation locations possible with added flex vent and termination versatility
- Certified for bathrooms, bedrooms, bed sitting rooms and mobile homes

**For more information or to place an order call our inside sales desk at 1-888-721-7253 or visit [napoleonfireplaces.com](http://napoleonfireplaces.com)**



100% SAFEGUARD



GA S CONTROL SYSTEM

# HD81NT

## High Definition See Thru Direct Vent Gas Fireplace (Zero Clearance Top Vent)

TESTED AS A HEATER TO ANSI Z21.88 CSA 2.33

Venting 8" x 10"

Unit includes: Electronic ignition gas valve with exclusive ACS (Anti-Condensation Switch), built-in adjustable flame/heat control split flow burner system and room selector heat deflector, stainless steel flex connector with shut off, Night Light™, modulating thermostatic hand held remote - controls flame, Night Light™ and optional blower, dual receptacle junction box, firestop, non-combustible finishing and framing components are packaged with the fireplace. Bathroom/bedroom/ bedsitting room/mobile home approved. Increase BTU's and flame/heat adjustment is a remarkable 172%, from 22,000 BTU's to 60,000 BTU's for maximum comfort and efficiency. Burner and decorative brick or porcelain panels must be installed .

US \$

PRODUCT #	MODEL DESCRIPTION	FINISH	WT/lbs.	SUGG.LIST
HD81NT	Top vent see thru gas fireplace body & valve assembly	Natural gas	325	\$4,900

**NOTE: MUST CHOOSE ONE BURNER ASSEMBLY AND ONE DECORATIVE BRICK OR PORCELAIN REFLECTIVE PANEL TO COMPLETE UNIT**

B81NL	Burner assembly	Logs Configuration	64	\$800
W175-0308	Conversion kit	Natural gas to propane-logs only	2	\$36
B81NG	Burner assembly	Glass (Crystaline™)	36	\$700
B81NS	Burner assembly	River Rock/Stone Configuration	48	\$800
W175-0313	Conversion kit (for Glass (Crystaline™) or River Rock/Stone)	Natural gas to propane	2	\$36
GD844	Decorative brick panels	Sandstone finish	12	\$199
PRP81	Porcelain reflective radiant panels		22	\$199

**OPTIONS/ACCESSORIES**

NZ64	Air circulating blower system with decorative grill & washable filter for circulation of either interior or outside fresh air. (NOTE: GA65 vent and collar required.)		25	\$514
GA65	6" x 10" Air circulation vent and collar for use with NZ64 blower		8	\$57
ANIH	Andirons - 2/kit (NOTE: 2 kits required if installing both sides)	painted black finish	7	\$78
GBAT	Glass/Burner Accent Trim	polished chrome	3	\$114
SBAT	Stone Burner Accent Trim	polished chrome	4	\$114
GL81L2*	Top Diagonal Decorative Logs (1-side supplied with Log Burner Assembly)		4	\$29
270	Paint, Thurmalox - black 13 oz. MUST ORDER IN MULTIPLES OF 12		12	\$14

**VENT KITS AND COMPONENTS**

PRODUCT #	DESCRIPTION		WT/lbs.	SUGG.LIST
GD622R	Wall terminal		5	\$169
GD610	Roof flashing	1/12 to 7/12 pitch	25	\$269
GD611	"	8/12 to 12/12 pitch	25	\$269
GD612	"	Flat roof	25	\$269
GD613	Roof terminal		12	\$179
GD620	Vent kit - 5ft. (incl. 1 - 8"x5' + 1 - 10"x5' flexible aluminum liner)		7	\$92
GD630	Vent kit - 10 ft. (incl. 1 - 8"x10' + 1 - 10"x10' flexible aluminum liner)		14	\$189
W175-0002	8" coupler		2	\$12
W175-0249	10" coupler		3	\$14
W010-1797	Firestop		3	\$24
W585-0222	Vent pipe shield		4	\$24
W170-0116	Vent pipe collar		2	\$18
W573-0007	Hi-temperature sealant, (millpac)10.3 oz cartridge		2	\$18
W573-0012	Hi-temperature sealant, (millpac)10.3 oz cartridge (bulk - 24 per carton)		25	\$364

\*NOTE: The log configuration is designed to be different from each side. To duplicate the view from both sides add GL81L2 to one side.