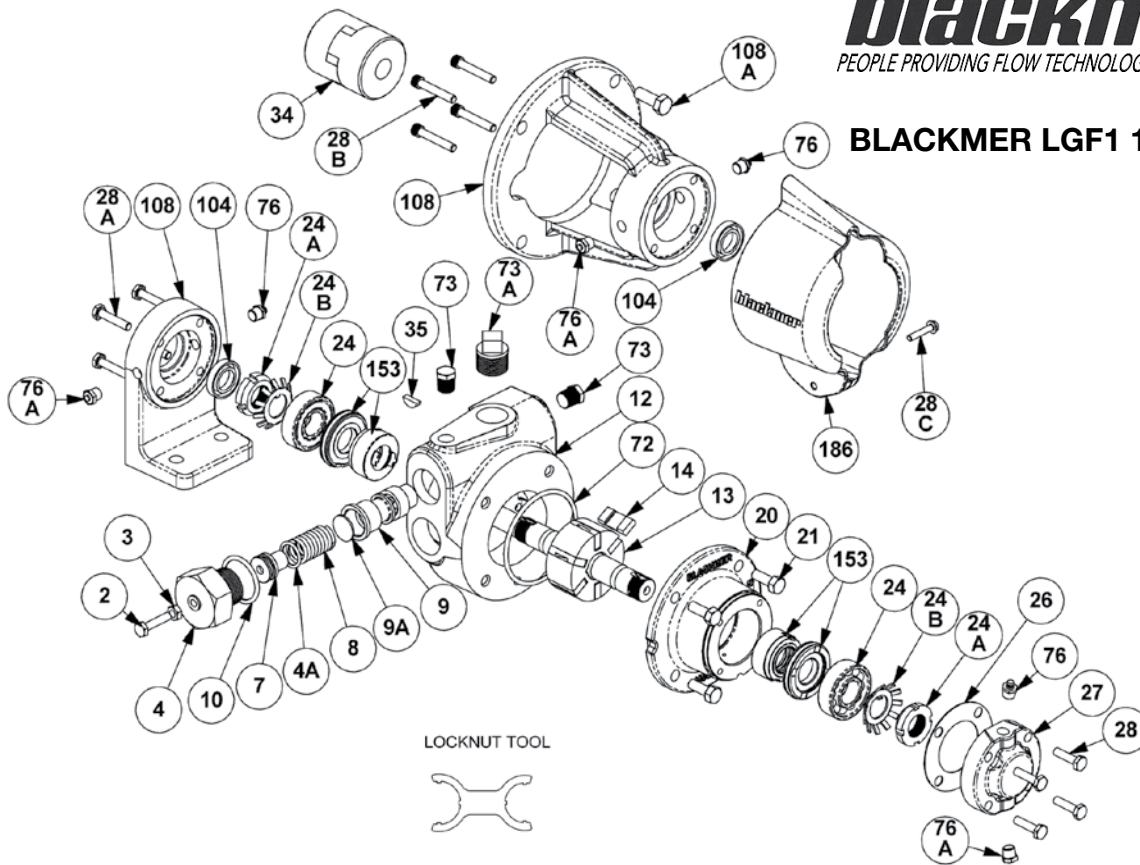


blackmer
PEOPLE PROVIDING FLOW TECHNOLOGY WORLDWIDE™

BLACKMER LGF1 1" PUMPS



BLACKMER REPAIR PARTS

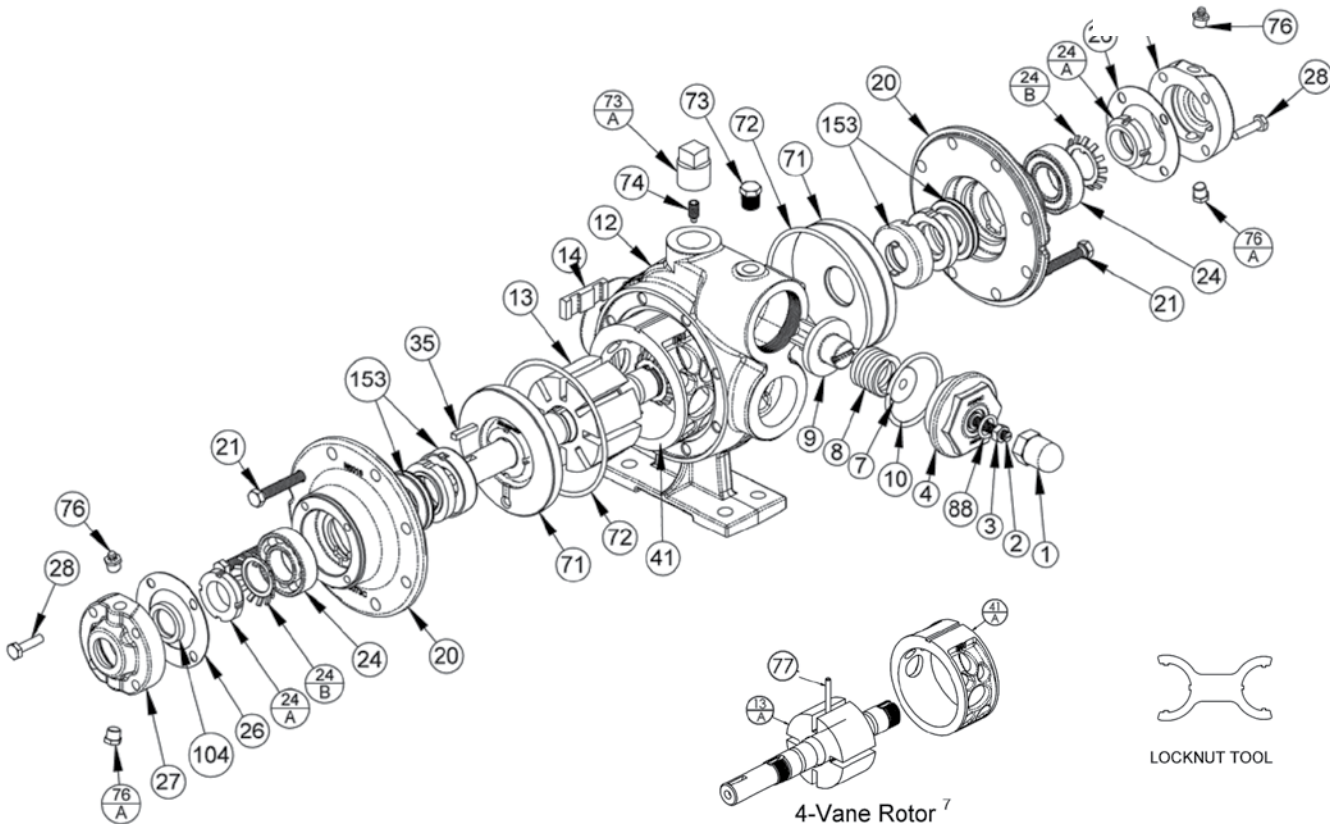
Ref. No.	Description	Parts Per Pump	Part No.	Ref. No.	Description	Parts Per Pump	Part No.
2	Adjusting Screw – Relief Valve (R/V)	1	² 443901	28A	Bracket Mounting Screws	4	920090
3	Locknut – Adjusting Screw	1	² 922811	28B	Bracket Mounting Screws	4	920101
4	Cover – R/V	1	412901	28C	Guard Screw	1	920026
4A	O-Ring – Spring Guide	1	^{1,2} 711940	34	Coupling Half – Pump	1	LO-90- ¹¹ / ₁₆
7	Spring Guide – R/V	1	² 422901		Coupling Half – Motor (56C)		LO-90- ⁵ / ₈
8	Spring – R/V	1	² 472901		Coupling Half – Motor (143-145TC/184C)		LO-90- ⁷ / ₈
9	Valve – R/V	1	² 452901		Coupling Spider		LO-90195
9A	Disc. – R/V	1	² 442901	35	Key – Shaft	1	¹ 909126
10	O-Ring – R/V Cover	1	^{1,2} 701965	72	O-Ring – Head	1	¹ 711941
12	Cylinder – LGF1, LGB1	1	022914	73	Gage Plug (1/4")	2	908198
	Cylinder – LGF1P, LGB1P	1	022915	73A	Gage Plug (3/4")	1	908225
13	Rotor & Shaft Assembly, Six Vane (Includes Ref. Nos. 24A & 24B)	1	262907	76	Grease Fitting	2	317815
14	Vane – Duravane (Std.)	6	^{1,3} 092913	76A	Grease Relief Fitting	2	701992
20	Head	1	032905	104	Grease Seal	1	¹ 331934
21	Capscrews – Head	4	920178	108	Bracket - (base mount) - LGB1(P)E	1	832913
24	Ball Bearing	2	¹ 903405		Bracket (C-faced footless) - LGF1(P)E		832912
24A	Locknut – Bearing	2	903531	108A	Capscrews – Bracket	4	920331
24B	Lockwasher – Bearing	2	¹ 903532	108B	Bracket (C-faced footed)		see pg. 2
26	Gasket – Bearing Cover	1	¹ 383075	153	Seal Kit	2	¹ 332920
27	Bearing Cover	1	043071	186	Guard	1	804120
28	Capscrews – Bearing Cover	4	920080		Tool - Locknut		903090
					Kit – RV Maintenance		899094
					Kit – Maintenance (6-Vane)		898994

¹Included in Maintenance Kit. ²Included in RV Kit ³Install the vanes with the lot facing the direction of rotation.

PUMP MODELS: LGRL1.25, LGRLF1.25A, LGL1.25, LGLF1.25A, LGL1.5, LGLF1.5A
and discontinued models: LGRLF1.25, LGLF1.25

blackmer
 PEOPLE PROVIDING FLOW TECHNOLOGY WORLDWIDE™

Keep instructions 501-B00 for installation, Operation and Maintenance



BLACKMER REPAIR PARTS

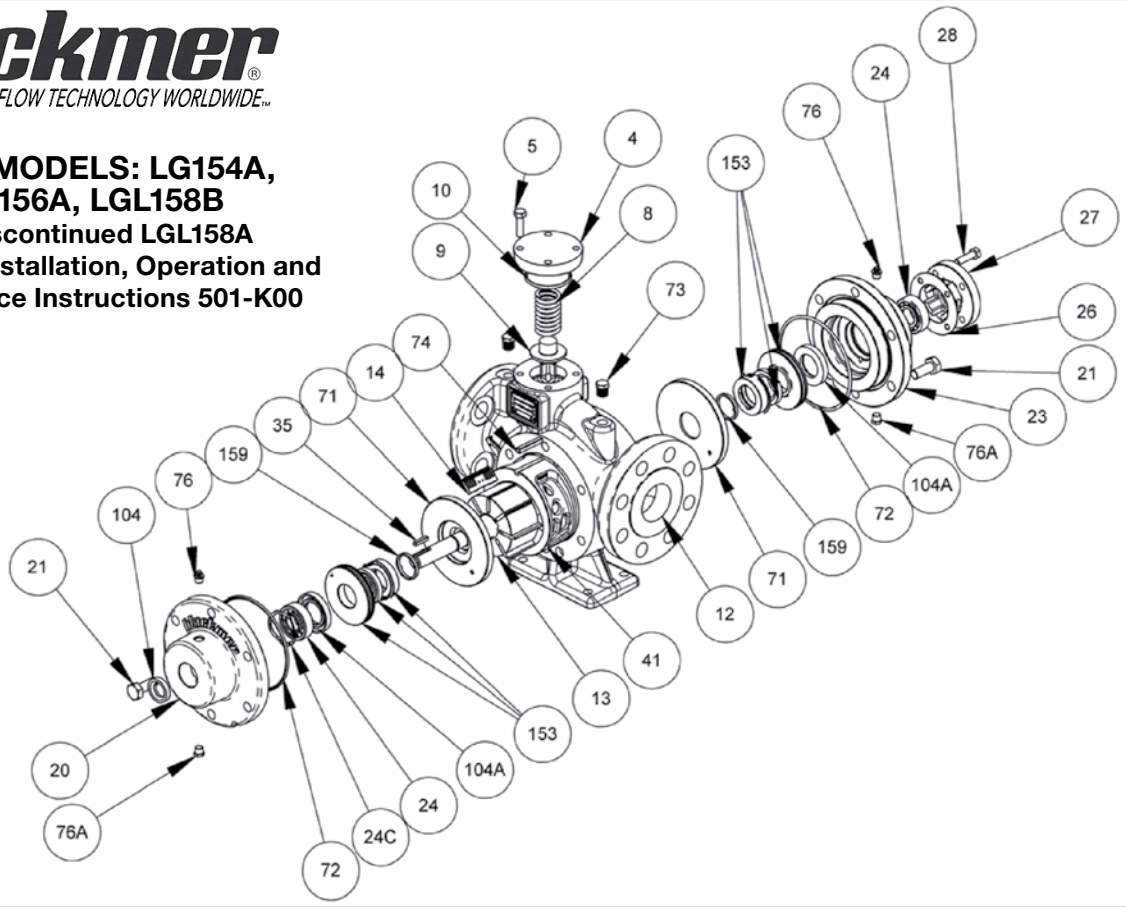
BLACKMER 4 VANE ROTOR SHAFT REPAIR PARTS

Ref. No.	Description	Parts Per Pump	Part No.	Ref. No.	Description	Parts Per Pump	Part No.	Ref. No.	Description	Parts Per Pump	Part No.
1	Cap - Relief Valve (R/V)	1	413200	28	Capscrews - Bearing Cover ⁴	4-8	920080	13A	Rotor & Shaft	1	¹ 263076
2	Adjusting Screw - R/V	1	433909	35	Shaft Key ¹	1	¹ 909152	41A	Liner - LGRL(F)1.25	1	² 183003
3	Locknut - Adjusting Screw	1	922923	28C	Guard Screw	1	920026	41A	Liner - LGL(F)1.25	1	² 183004
4	Cover - R/V	1	413076	41	Liner - LGRL(F)1.25 (8 Vane Only)	1	² 183019	41A	Liner - LGL(F)1.5	1	² 183301
7	Spring Guide - R/V	1	423955		Liner - LGL(F)1.25 (8 Vane Only)	1	² 183020		Push Rod LGRL(F)1.25	2	¹ 123004
8	Spring - R/V (81-125 psi)	1	471428		Liner - LGL(F)1.5 (8 Vane Only)	1	² 183310	77	Push Rod LGL(F)1.25	2	¹ 123076
9	Valve - R/V	1	453077	71	Disc	2	¹ 063075		Push Rod LGL(F)1.5	2	¹ 123401
9A	Disc - R/V	1	² 442901	72	O-Ring - Head	2	¹ 701918		Kit - Maintenance LGRL(F)1.25A		898917
10	O-Ring - R/V Cover	1	¹ 711924	73	Gage Plug (1/4")	1	908198		Kit - Maintenance LGL(F)1.25A		898918
12	Casing with feet (1.25)	1	013075	73A	Gage Plug (3/4")	1	⁶ 908225		Kit - Maintenance LGL(F)1.5A		898919
	Casing with feet (1.5)	1	013376	74	Setscrew - Liner	1	922088		Kit - Rebuild LGRL(F)1.25A		899017
13	Rotor & Shaft Assembly, Eight Vane (with Ref. Nos. 24A & 24B)	1	² 262300	76	Grease Fitting	2	317815		Kit - Rebuild LGL(F)1.25A		899018
				76A	Grease Relief Fitting	2	701992		Kit - Rebuild LGL(F)1.5A		899019
14	Vane - Duravane	8	¹ 093088	88	O-Ring - R/V Cap	1	¹ 701949				
20	Head	2	033073	104	Grease Seal	1	¹ 331927				
21	Capscrews - Head	16	920276	153	Seal Assembly	2	¹ 333045				
24	Ball Bearing	2	¹ 903114		Tool - Locknut		903090				
24A	Locknut - Bearing	2	² 903534		Kit - Maintenance (8-Vane)		898976				
24B	Lockwasher - Bearing	2	¹ 903533		Kit - Rebuild LGRL(F)1.25(A) (8 Vane)		899076				
26	Gasket - Bearing Cover ³	1-2	¹ 383075		Kit - Rebuild LGL(F)1.25(A) (8 Vane)		899077				
27	Bearing Cover - Inboard ⁵	0-1	043070		Kit - Rebuild LGRL(F)1.5(A) (8 Vane)		899078				
27A	Bearing Cover - Outboard	1	043071								

¹Included in Maintenance Kit. ²Included in Rebuild Kits
^{3,4,5}Applies to LG(R)L(F) pump models only:
³Use one outboard ⁴Use four outboard ⁵Use none.
⁶Re. No. 73A: Older pumps may use a 1/4" plug (pn908198) or 1/2" plug (pn 908215)
⁷ NEED TO ADDRESS THIS NOTE
 Note: Earlier model pumps used taper pins, which are no longer required. Previous pumps used Woodruff Key 901925

blackmer
PEOPLE PROVIDING FLOW TECHNOLOGY WORLDWIDE...

**PUMP MODELS: LG154A,
LGL156A, LGL158B
and discontinued LGL158A**
Keep with installation, Operation and
Maintenance Instructions 501-K00



BLACKMER REPAIR PARTS

Ref. No.	Description	Parts Per Pump	Part No.	Ref. No.	Description	Parts Per Pump	Part No.
4	Cover – Relief Valve (R/V)	1	415701	35	Key – Shaft (for shaft 265702)	1	¹ 909153
5	Capscrews – R/V Cover	4	920122		Key – Shaft (for older shaft 265701)	1	¹ 909152
8	Spring – R/V (225 psi)	1	471400	41	Liner (LGL158)	1	185701
9	Valve – R/V	1	455701		Liner (LGL156)	1	185710
10	O-Ring – R/V Cover	1	¹ 711924		Liner (LGL154)	1	185711
12	Casing	1	015701	71	Disc	2	¹ 065701
13	Rotor & Shaft Assembly	1	265702	72	O-Ring – Head	2	¹ 702169
	Rotor & Shaft Asy. (LGL158A only) ²	1	² 265701	73	Gage Plug	2	908198
14	Vane – Duravane	8	¹ 094860	74	Key – Liner	1	909177
20	Head – Inboard	1	035701	76	Grease Fitting	2	317815
21	Capscrews – Head	12	920468	76A	Grease Relief Fitting	2	701992
23	Head Outboard	1	035703	104	Grease Seal – Outer	1	¹ 331921
24	Ball Bearing	2	¹ 903148	104	Grease Seal – Inner	2	¹ 335702
24C	Bearing Spring	1	¹ 903187	153	Mechanical Seal	2	¹ 335703
26	Shim Kit (6 ea.L. .002", .005" & .010")	Varies	¹ 905172	159	Seal Spacer Ring	2	375701
27	Bearing Cover	1	045701		Kit – Maintenance		899222
28	Capscrews – Bearing Cover	4	920122		Priming Valve (for Underground Tank Installation)		455750

¹Included in Maintenance Kit. ²The 265702 will fit the LGL158A, but will require baseplate modifications as it is 1.41" longer than the 265701 shaft.

© Ray Murray Inc. Edition 11

PUMPS, COMPRESSORS & BY-PASS VALVES

Tel: 800-628-5044

RAY MURRAY, INC.
Order online at www.raymurray.com
or call for personal assistance

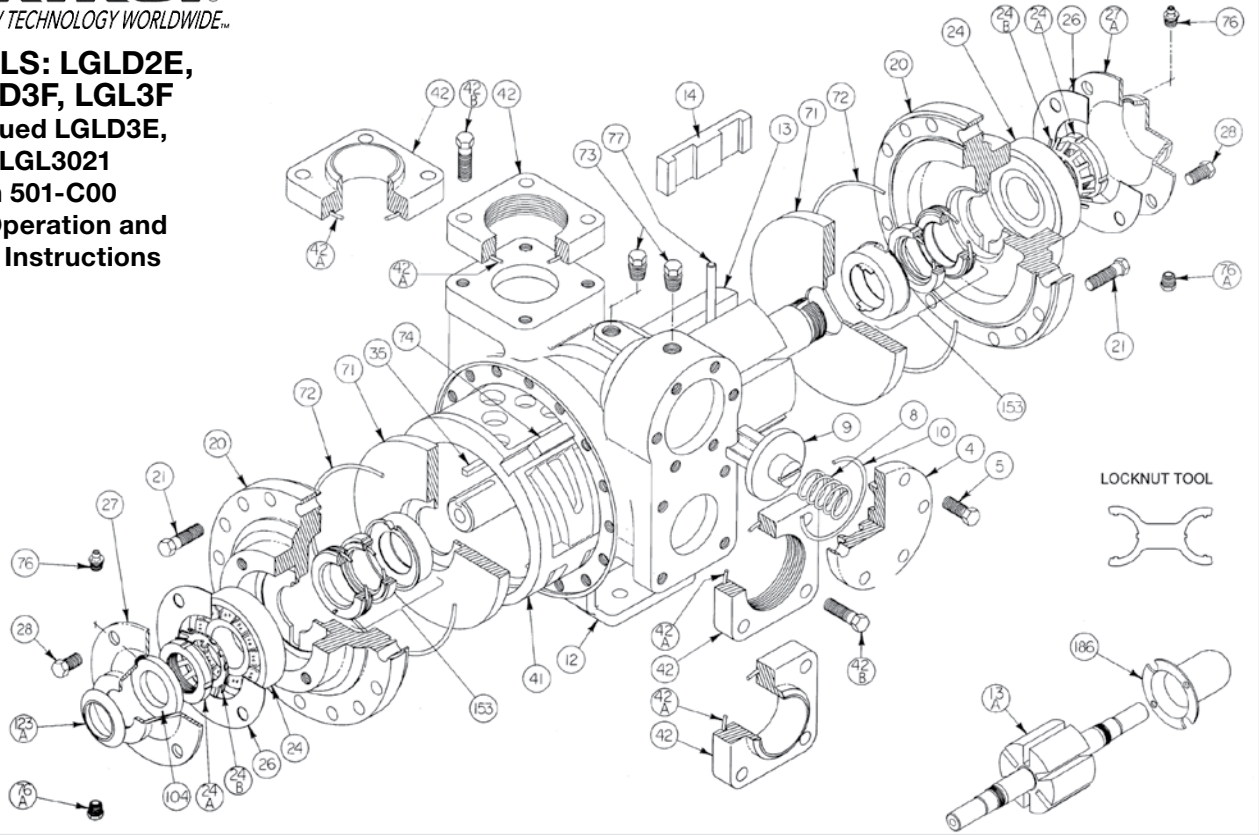
Fax: 800-243-8341

blackmer®

PEOPLE PROVIDING FLOW TECHNOLOGY WORLDWIDE™

**PUMP MODELS: LGLD2E,
LGL2E, LGLD3F, LGL3F
and discontinued LGLD3E,
LGL3E, & LGL3021**
Keep with 501-C00
installation, Operation and
Maintenance Instructions

PUMPS, COMPRESSORS & BY-PASS VALVES



BLACKMER REPAIR PARTS

Ref. No.	Description	Parts Per Pump	LGL2 Part No.	LGL3 Part No.	LGL3021 Part No.	Ref. No.	Description	Parts Per Pump	LGL2 Part No.	LGL3 Part No.	LGL3021 Part No.
4	Cover – Relief Valve (R/V)	1	414401	415113	415115	35	Key – Shaft, 1/4" Square	1	^{1,7} 909209	^{1,7} 909209	¹ 909209
5	Capscrews – R/V Cover	6	920331	920331	920379	41	Liner	1	² 184405	² 185111	² 185111
8	Spring – R/V	1	¹ 471423	¹ 475135	¹ 475135	42	Flange – NPT	2	654401	655112	655132
9	Valve – R/V	1	454405	455129	455129		Flange – Weld	2	654405	655102	
10	O-Ring – R/V Cover	1	¹ 701919	¹ 701925	¹ 711941	42A	O-Ring – Flange	2	¹ 702004	¹ 702002	¹ 712245
12	Casing	1	014405	015127	015131	42B	Capscrew – NPT Flange	8	920384	920547	920379
13	Rotor & Shaft Asy. – LGL (Includes Ref. Nos. 24A & 24B)	1	264443	265149	² 265190		Capscrew – Weld Flange	8	920351	920510	
13A	Rotor & Shaft Asy. – LGLD ⁵ (Includes Ref. Nos. 24A & 24B)	1	² 264445	² 265148	² 265190	71	Disc	2	¹ 064412	¹ 065112	¹ 065112
14	Vane – Duravane (Std.)	6	¹ 091419	¹ 095131	¹ 095131	72	O-Ring – Head	2	¹ 702022	¹ 702041	¹ 702041
20	Head	2	034416	035128	035128	73	Gage Plug	2	908198	908198	908198
21	Capscrews – Head (Size 2)	32	920351	N/A	920379	74	Key – Liner	1	^{2,8} 183991	² 185191	² 185191
	Capscrews – Head (Size 3)	40	N/A	920369	920379	76	Grease Fitting	2	317815	317815	317815
24	Ball Bearing	2	¹ 903156	¹ 903166	¹ 903166	76A	Grease Relief Fitting	2	701992	701992	701992
24A	Locknut – Bearing	2	² 903521	² 903523	² 903523	77	Push Rod	3	^{1,6} 123905	^{1,6} 125110	¹ 125110
24B	Lockwasher – Bearing	2	¹ 903522	¹ 903524	¹ 903524	104	Grease Seal	1	^{1,3} 331918	^{1,3} 331908	¹ 331908
26	Gasket – Bearing Cover	2	¹ 383940	¹ 385125	¹ 385125	123A	Dirt Shield	1	^{1,3} 701480	N/A	N/A
27	Bearing Cover (Inboard) ³	1	041431	041815	041815	153	Mechanical Seal	2	¹ 334439	¹ 335225	¹ 335225
27A	Bearing Cover (Outboard) ⁴	1	041433	041817		186	Shaft Protector (LGLD Models Only)	1	341601	341801	341801
28	Capscrews – Bearing Cover	8 - 12	920285	920285	920285		Tool – Locknut		903091	903091	903091
							Kit – Maintenance		898979	898981	899195
							Kit – Rebuild		899079	899081	899095

¹Included in Maintenance Kit and Rebuild Kit. ²Included in Rebuild Kit.

The Following Applies to double end shaft pumps (IGLD): ³Use two ⁴Use none.

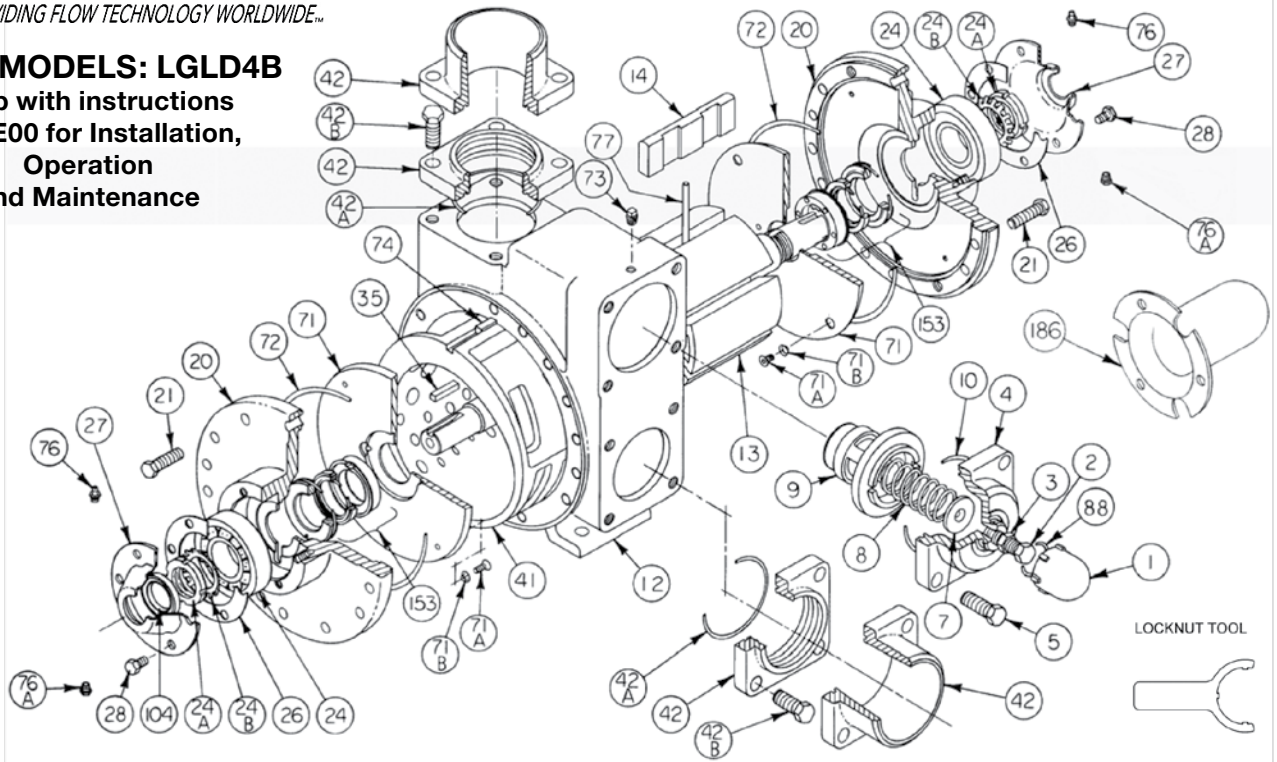
⁵Double-Ended Rotor & Shaft. ^{6,2}" pushrod is metal, ³" is composite.

⁷ Pumps before April 2008 used Woodruff key 909130, included in maintenance kits. ⁸Pump before 1995 require liner key 184407.

blackmer®

PEOPLE PROVIDING FLOW TECHNOLOGY WORLDWIDE™

PUMP MODELS: LGLD4B
 Keep with instructions
 501-E00 for Installation,
 Operation
 and Maintenance



PUMPS, COMPRESSORS & BY-PASS VALVES

BLACKMER REPAIR PARTS

Ref. No.	Description	Parts Per Pump	Part No.	Ref. No.	Description	Parts Per Pump	Part No.
1	Cap – Relief Valve (R/V)	1	413957	42	Flange – 3" NPT	1-2	652012
2	Adjusting Screw – R/V	1	436310		Flange – 3" Weld	1-2	652007
3	Locknut – Adjusting Screw	1	432039		Flange – 4" Weld	1-2	652005
4	Cover – (R/V)	1	412001	42A	O-Ring – NPT, Weld Flange	2	¹ 701937
5	Capscrews – R/V Cover	4	920633	42B	Capscrew – NPT Flange	8	920663
7	Spring Guide – R/V	1	426355		Capscrew – Weld Flange	8	920640
8	Spring – R/V	1	¹ 472039	71	Disc	2	¹ 062039
9	Valve – R/V	1	452001	71A	Machine Screw – Disc.	8	² 920015
10	O-Ring – R/V Cover	1	¹ 701946	71B	Lockwasher – Machine Screw	8	² 909634
12	Casing	1	012019	72	O-Ring – Head	2	¹ 702039
13	Rotor & Shaft Assembly, Dbl. End (Includes Ref. No. 24A & 24B)	1	² 262041	73	Gage Plug	2	908198
14	Vane – Duravane	6	¹ 092019	74	Key – Liner	1	² 182040
20	Head	2	032041	76	Grease Fitting	2	317815
21	Capscrews – Head	28	920532	76A	Grease Relief Fitting	2	701992
24	Ball Bearing	2	¹ 903166	77	Push Rod – Composite – LGLD4B	3	¹ 122009
24A	Locknut – Bearing	2	² 903541	88	O-Ring – R/V Cap	1	¹ 701926
24B	Lockwasher – Bearing	2	¹ 903542	104	Grease Seal – LGLD4B	2	¹ 331908
26	Gasket – Bearing Cover	2	¹ 385125	153	Mechanical Seal	2	¹ 332050
27	Bearing Cover – LGLD4B	2	041815	186	Shaft Protector	1	341801
28	Capscrews – Bearing Cover	12	920285		Tool – Locknut		903092
35	Key – Shaft	1	¹ 909183		Kit – Maintenance		898922
41	Liner (LGL158)	1	¹ 182000		Kit – Rebuild – LGLD4B		899022

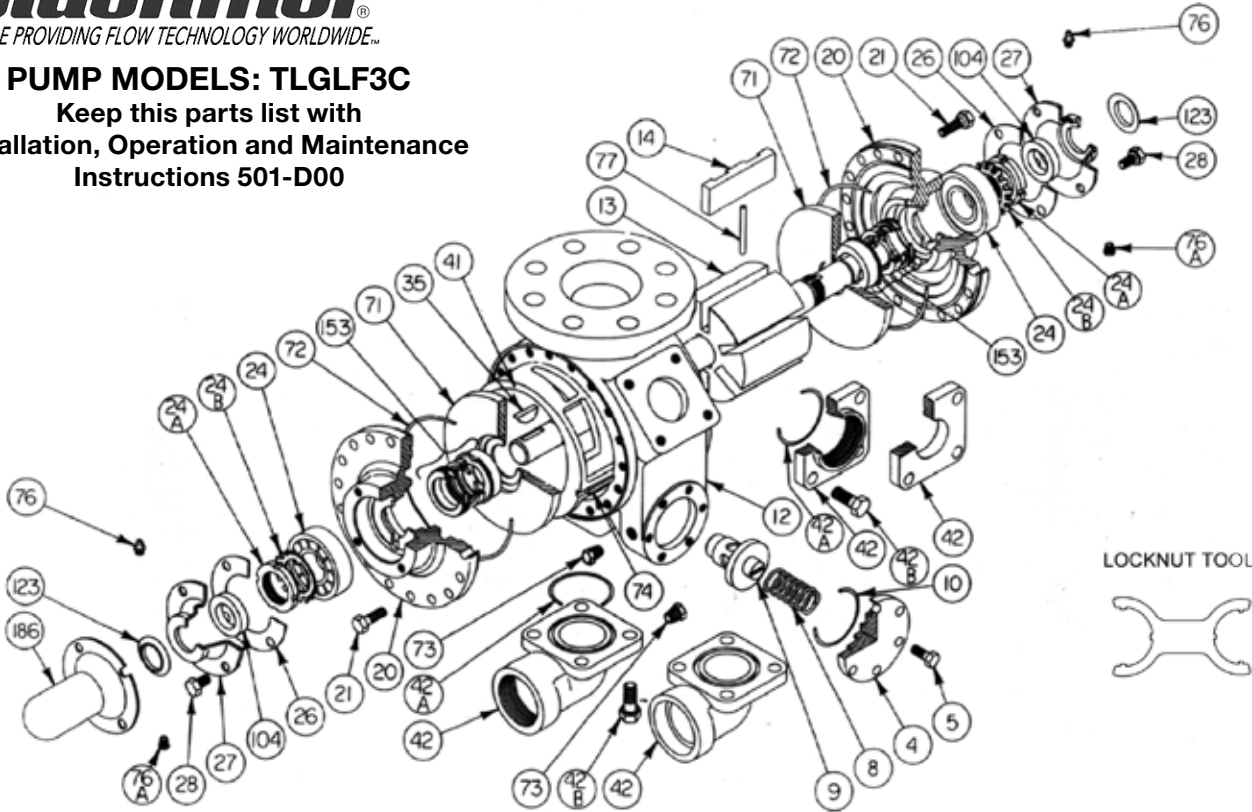
¹Included in Maintenance and Rebuild Kit. ²Included in Rebuild Kit only

blackmer®

PEOPLE PROVIDING FLOW TECHNOLOGY WORLDWIDE™

PUMP MODELS: TLGLF3C

Keep this parts list with installation, Operation and Maintenance Instructions 501-D00



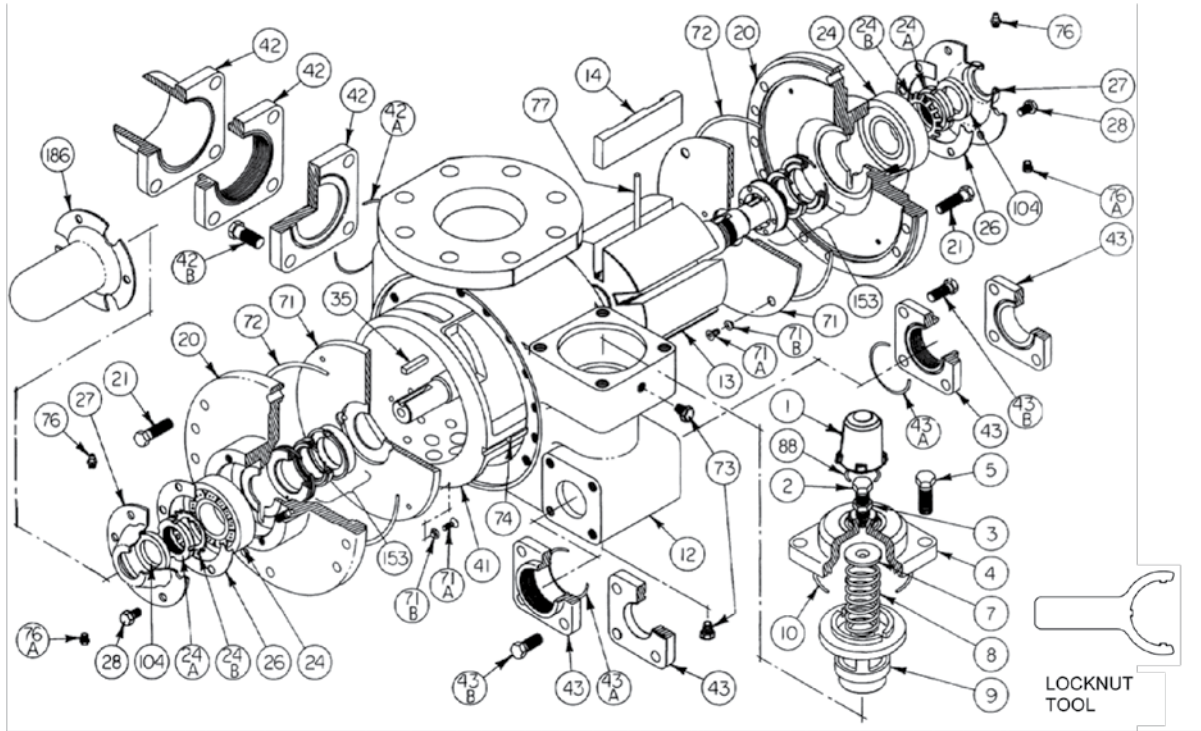
BLACKMER REPAIR PARTS

Ref. No.	Description	Parts Per Pump	Part No.	Ref. No.	Description	Parts Per Pump	Part No.
4	Cover – Relief Valve (R/V)	1	415108	42A	O-Ring – Flange 2 5/8" x 2 7/8" (current)	2	^{1,3} 702004
5	Capscrew – R/V Cover	6	920331		O-Ring – Flange 2 1/2" x 2 3/4" (older pumps)	2	¹ 701919
8	Spring – R/V	1	² 471428	42B	Capscrew – Flanges	8	920491
9	Valve – R/V	1	² 451417	71	Disc.	2	¹ 065121
10	O-Ring – R/V Cover	1	¹ 701919	72	O-Ring – Head	2	¹ 711923
12	Casing	1	015128	73	Gage Plug	2	908198
13	Rotor & Shaft Assembly ⁵	1	² 265147	74	Key – Liner	1	² 185193
14	Vane – Duravane	6	¹ 095132	76	Grease Fitting	2	317815
20	Head	2	035132	76A	Grease Relief Fitting	2	701992
21	Capscrews – Head	36	920351	77	Push Rod	3	¹ 121607
24	Ball Bearing	2	¹ 903156	104	Grease Seal	2	¹ 331918
24A	Locknut – Bearing	2	² 903521	123	Dirt Shield	2	¹ 701480
24B	Lockwasher – Bearing	2	¹ 903522	153	Mechanical Seal	2	¹ 334439
26	Gasket – Bearing Cover	2	¹ 383940	186	Shaft Protector	1	341601
27	Bearing Cover	2	041431		Tool - Locknut		903091
28	Capscrews – Bearing Cover	8	920285		Kit – RV Maintenance		899225
35	Key – Shaft	1	¹ 909130		Kit – Rebuild with R/V		899125
41	Liner	1	² 185101	¹ Included in Maintenance Kit and Rebuild Kit.			
42	Flange – 2" NPT	1-2	652010	² Included in Rebuild Kit			
	Flange – 2" Slip-on Weld		652024	³ Larger O-Ring introduced October 2002			
	Flange Elbow – 2" NPT		655100	⁵ Includes Ref. No. 24A & 24B			
	Flange El – 2" Socket Weld		655109				
	Blank Flange for Auxilliary Inlet		652036				

PUMPS, COMPRESSORS & BY-PASS VALVES

blackmer
PEOPLE PROVIDING FLOW TECHNOLOGY WORLDWIDE™

PUMP MODELS: TLGLF4B
Keep with instructions 501-E00 for Installation,
Operation and Maintenance



BLACKMER REPAIR PARTS

Ref. No.	Description	Parts Per Pump	Part No.	Ref. No.	Description	Parts Per Pump	Part No.
1	Cap – Relief Valve (R/V)	1	413957	42A	O-Ring – Aux. Inlet Flanges	1	701937
2	Adjusting Screw – R/V	1	436310	42B	Capscrew – 3” NPT Flange	4	920663
3	Locknut – Adjusting Screw	1	432039		Capscrew 3”, 4” – Weld Flange; Blank Flange		920640
4	Cover – (R/V)	1	412001	TWIN DISCHARGE PORT OPTIONS			
5	Capscrews – R/V Cover	4	920633	43	Flange – 2” NPT	2	652010
7	Spring Guide – R/V	1	426355		Flange – 2” Slip-on Weld		652024
8	Spring – R/V	1	1472039	43A	O-Ring – 2” Discharge Flanges	2	1702004
9	Valve – R/V	1	452001	43B	Capscrew – Discharge Flange	8	920491
10	O-Ring – R/V Cover	1	1701946	71	Disc	2	1062039
12	Casing	1	012041	71A	Machine Screw – Disc.	8	2920015
13	Rotor & Shaft Assembly (Includes Ref. No. 24A & 24B)	1	2262041	71B	Lockwasher – Machine Screw	8	2909634
14	Vane – Duravane	6	1092019	72	O-Ring – Head	2	1702039
20	Head	2	032041	73	Gage Plug	2	908198
21	Capscrews – Head	28	920532	74	Key – Liner	1	2182040
24	Ball Bearing	2	1903166	76	Grease Fitting	2	317815
24A	Locknut – Bearing	2	2903541	76A	Grease Relief Fitting	2	701992
24B	Lockwasher – Bearing	2	1903542	77	Push Rod – Composite	3	1122009
26	Gasket – Bearing Cover	2	1385125	88	O-Ring – R/V Cap	1	1701926
27	Bearing Cover	2	041815	104	Grease Seal	2	1331908
28	Capscrews – Bearing Cover	12	920285	153	Mechanical Seal	2	1332050
35	Key – Shaft	1	1909183	186	Shaft Protector	1	341801
41	Liner	1	2182000		Tool – Locknut		903092
AUXILIARY INLET OPTIONS					Kit – Maintenance		898922
42	Flange – 3” NPT	1	652012		Kit – Rebuild – LDLD4B		899022
	Flange – 3” Weld		652007	¹ Included in Maintenance and Rebuild Kit. ² Included in Rebuild Kit			
	Flange – 4” Weld		652005				
	Flange – Blank		652000				

PUMPS, COMPRESSORS & BY-PASS VALVES

© Ray Murray Inc. Edition 11