



THE BEST ROOM IN THE HOUSE
ISN'T IN THE HOUSE AT ALL

PICTURED: SAN2-34DBSTMSI-N

- OUTDOOR FIREPLACES
- BURNER SYSTEMS
- ENCLOSURES
- JEWELRY
- ACCESSORIES

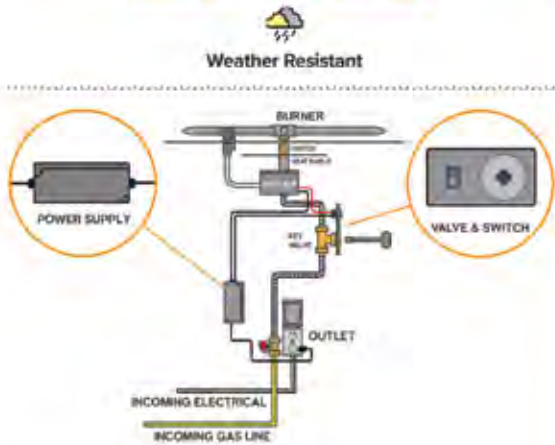


IGNITION SYSTEMS

AWS All Weather Electronic Ignition System



Single Fire Feature

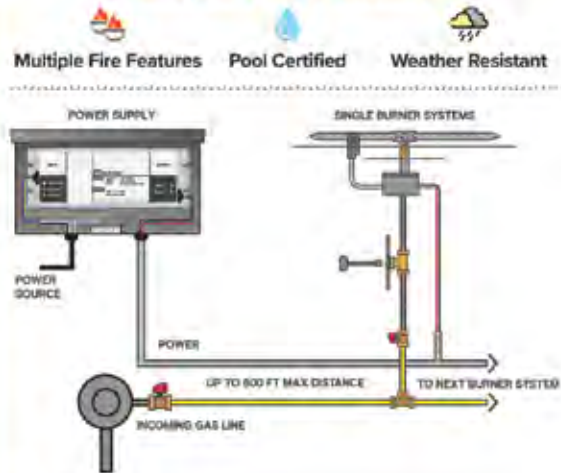


How it Lights

If you chose an FPB system (see page 8 & 10), the system lights by pressing the toggle switch on the faceplate.

or

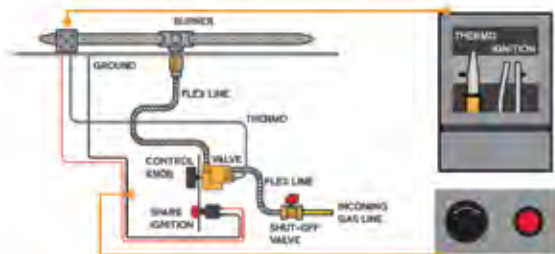
Multiple Fire Features



How it Lights

If you choose our A La Carte System, the way to operate your fire features are endless! See page 7 to learn more about the A La Carte Purchasing System!

TMSI Thermocouple Manual Safety with Spark Ignition



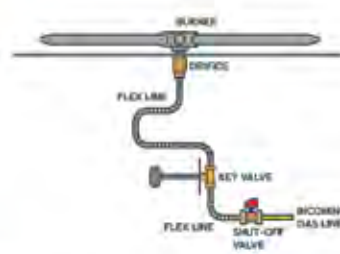
Overview

- Thermocouple Manual Safety TMS Technology (Non-Piloted, Non-Filament Systems)
- Manual Spark Ignitor Kit included
- TMS System with Safety Valve turns gas off when flame goes out
- Robust Ignition system with full BTU throughput

How it Lights

Turn the control knob to the ON position. Press the Spark Ignition button. Press the control knob inward while pressing the spark ignition. After the fire lights, continue to hold the control knob for 30 seconds. To turn off the fire pit, depress the control knob slightly and turn to the OFF position.

MT Match Throw



Overview

- Most popular ignition system, least amount of cost
- Light a match or a butane lighter
- Can be used in residential installs
- This system is the easiest to use, and with non-listed burners you can achieve high BTU's and big flames.

How it Lights

Insert key into shut-off valve. Light a butane lighter or match. Hold it near the burner and turn gas on. The gas will ignite. To turn off, insert the key valve and turn to OFF position.

SOME BRANDS ARE ONLY AVAILABLE IN SELECTED AREAS, SEE PAGE 6 OR CONTACT YOUR REGIONAL SALES MANAGER FOR MORE INFO.

Pricing, model numbers and availability are subject to change without notice.

❖ - Non-Stock, Special Order - NO RETURNS or CANCELLATIONS

FPB Burner Systems - Round Drop-In Pans

Model No.	Description	List Price
AWS Burner System		
FPB-33RBSAWS-N	33" Round SS Pan with 31" Burning Spur, 175,000 btu - NG	\$3,325.99
FPB-29RBSAWS-N	29" Round SS Pan with 22" Burning Spur, 125,000 btu - NG	\$3,130.99



Round Drop-In (AWS)

TFS Burner System - While Supplies Last		
FPB-29RBSTFS-P	29" Round SS Pan with 22" Burning Spur, 49,500-100,000 btu - LP	\$1,759.99
FPB-29RBSTFS-N	29" Round SS Pan with 22" Burning Spur, 51,000-105,000 btu - NG	\$1,759.99
FPB-25RBSTFS-P	25" Round SS Pan with 22" Burning Spur, 49,500-100,000 btu - LP	\$1,699.99
FPB-25RBSTFS-N	25" Round SS Pan with 22" Burning Spur, 51,000-105,000 btu - NG	\$1,699.99

TMSI Burner System		
FPB-33RBSTMSI-N	33" Round SS Pan with 22" Burning Spur, 65,000 btu - NG	\$1,209.99
FPB-29RBSTMSI-N	29" Round SS Pan with 22" Burning Spur, 65,000 btu - NG	\$1,064.99
FPB-25RBSTMSI-N	25" Round SS Pan with 22" Burning Spur, 65,000 btu - NG	\$1,029.99
FPB-19RBSTMSI-N	19" Round SS Pan with 16" Burning Spur, 65,000 btu - NG	\$839.99



Round Drop-In (TMSI)

MT Burner System		
FPB-33RBS31MT-N	33" Round SS Pan with 31" Burning Spur, 175,000 btu - NG	\$1,035.99
FPB-29RBS22MT-N	29" Round SS Pan with 22" Burning Spur, 125,000 btu - NG	\$835.99
FPB-25RBS22MT-N ❖	25" Round SS Pan with 22" Burning Spur, 125,000 btu - NG	\$805.99
FPB-19RBSMT-N	19" Round SS Pan with 16" Burning Spur, 75,000 btu - NG	\$615.99

Universal LP Conversion Kits

OAS-LPK26	LP Conversion Kit for 175,000 btu Burner	\$59.99
OAS-LPK31	LP Conversion Kit for 125,000 btu Burner	\$59.99
OAS-LPK41	LP Conversion Kit for 65,000 btu Burner	\$59.99

Note: AWS and TFS are NOT field convertible, must order gas specific

Windshields - Tempered Glass

GWS-38R	Round Windshield, Fits FPB-33 Burners	\$331.82
GWS-36R	Round Windshield, Fits FPB-29 Burners	\$266.05
GWS-32R	Round Windshield, Fits FPB-25 Burners	\$242.14
GWS-23R ❖	Round Windshield, Fits FPB-19 Burners	\$194.31

Lids

LID-33R2	SS Flat Round Lid, Fits FPB-33R Burners	\$399.99
LID-29R2	SS Flat Round Lid, Fits FPB-29R Burners	\$340.99
LID-25R2	SS Flat Round Lid, Fits FPB-25R Burners	\$293.99
LID-19R2	SS Flat Round Lid, Fits FPB-19R Burners	\$223.99

SOME BRANDS ARE ONLY AVAILABLE IN SELECTED AREAS, SEE PAGE 6 OR CONTACT YOUR REGIONAL SALES MANAGER FOR MORE INFO.

Pricing, model numbers and availability are subject to change without notice.

FPB Burner Systems - Round Flat Pans

Model No.	Description	List Price
AWS Burner System		
FPB-44DBSAWS-N	44" Round SS Flat Pan with 36" Burning Spur, 250,000 btu - NG	\$3,325.99
FPB-34DBSAWS-N ❖	34" Round SS Flat Pan with 31" Burning Spur, 175,000 btu - NG	\$3,105.99
FPB-29DBSAWS-N ❖	29" Round SS Flat Pan with 22" Burning Spur, 125,000 btu - NG	\$3,005.99

TMSI Burner System		
FPB-34DBSTMSI-N	34" Round SS Flat Pan with 22" Burning Spur, 65,000 btu - NG	\$929.99
FPB-29DBSTMSI-N	29" Round SS Flat Pan with 22" Burning Spur, 65,000 btu - NG	\$904.99
FPB-26DBSTMSI-N ❖	26" Round SS Flat Pan with 16" Burning Spur, 65,000 btu - NG	\$789.99

MT Burner System		
FPB-44DBS36MT-N	44" Round SS Flat Pan with 36" Burning Spur, 250,000 btu - NG	\$1,035.99
FPB-34DBS31MT-N	34" Round SS Flat Pan with 31" Burning Spur, 175,000 btu - NG	\$815.99
FPB-29DBS22MT-N	29" Round SS Flat Pan with 22" Burning Spur, 125,000 btu - NG	\$715.99



Round Flat Pan (MT)

Universal LP Conversion Kits

OAS-LPK12	LP Conversion Kit for 250,000 btu Burner	\$59.99
OAS-LPK26	LP Conversion Kit for 175,000 btu Burner	\$59.99
OAS-LPK31	LP Conversion Kit for 125,000 btu Burner	\$59.99
OAS-LPK41	LP Conversion Kit for 65,000 btu Burner	\$59.99

Note: AWS and TFS are NOT field convertible, must order gas specific

Windshields - Tempered Glass

GWS-48R ❖	Round Windshield, Fits FPB-44 Burners	\$379.65
GWS-36R	Round Windshield, Fits FPB-29 Burners	\$266.05

Lids

LID-29R2	SS Flat Lid with Tabs, Fits FPB-29 Burners	\$340.99
----------	--	----------

SOME BRANDS ARE ONLY AVAILABLE IN SELECTED AREAS, SEE PAGE 6 OR CONTACT YOUR REGIONAL SALES MANAGER FOR MORE INFO.

Pricing, model numbers and availability are subject to change without notice.

❖ - Non-Stock, Special Order - NO RETURNS or CANCELLATIONS

FPB Burner Systems - Square Drop-In & Flat Pans

Model No.	Description	List Price
AWS Burner System		
FPB-38SBSAWS-N ❖	38" Square SS Pan with 36" Burning Spur, 250,000 btu - NG	\$4,099.99
FPB-32SBSAWS-N ❖	32" Square SS Pan with 31" Burning Spur, 175,000 btu - NG	\$3,455.99
FPB-26SBSAWS-N ❖	26" Square SS Pan with 22" Burning Spur, 125,000 btu - NG	\$3,035.99
FPB-40SFBSAWS-N ❖	40" Square SS Flat Pan with 36" Burning Spur, 250,000 btu - NG	\$3,289.99
FPB-34SFBSAWS-N ❖	34" Square SS Flat Pan with 31" Burning Spur, 175,000 btu - NG	\$3,169.99
FPB-30SFBSAWS-N ❖	30" Square SS Flat Pan with 22" Burning Spur, 125,000 btu - NG	\$2,999.99

TFS Burner System - While Supplies Last		
FPB-32SBSTFS-P	32" Square SS Pan with 22" Burning Spur, 49,500-100,000 btu - LP	\$2,267.99
FPB-26SBSTFS-N	26" Square SS Pan with 22" Burning Spur, 51,000-105,000 btu - NG	\$1,569.99
FPB-26SBSTFS-P	26" Square SS Pan with 22" Burning Spur, 49,500-100,000 btu - LP	\$1,569.99

TMSI Burner System		
FPB-26SBSTMSI-N	26" Square SS Pan with 22" Burning Spur, 65,000 btu - NG	\$949.99
FPB-20SBSTMSI-N ❖	20" Square SS Pan with 16" Burning Spur, 65,000 btu - NG	\$879.99
FPB-30SFBSTMSI-N	30" Square SS Flat Pan with 22" Burning Spur, 65,000 btu - NG	\$949.99
FPB-25SFBSTMSI-N ❖	25" Square SS Flat Pan with 22" Burning Spur, 65,000 btu - NG	\$879.99



Square Flat Pan (TMSI)

MT Burner System		
FPB-32SBS31MT-N ❖	32" Square SS Pan with 31" Burning Spur, 175,000 btu - NG	\$1,165.99
FPB-26SBS22MT-N	26" Square SS Pan with 22" Burning Spur, 125,000 btu - NG	\$745.99
FPB-20SBSMT-N ❖	20" Square SS Pan with 16" Burning Spur, 75,000 btu - NG	\$675.99
FPB-40SFBS36MT-N ❖	40" Square SS Flat Pan with 36" Burning Spur, 250,000 btu - NG	\$999.99
FPB-34SFBS31MT-N	34" Square SS Flat Pan with 31" Burning Spur, 175,000 btu - NG	\$879.99
FPB-30SFBS22MT-N ❖	30" Square SS Flat Pan with 22" Burning Spur, 125,000 btu - NG	\$709.99



Square Drop-In (MT)

Universal LP Conversion Kits

OAS-LPK12	LP Conversion Kit for 250,000 btu Burner	\$59.99
OAS-LPK26	LP Conversion Kit for 175,000 btu Burner	\$59.99
OAS-LPK31	LP Conversion Kit for 125,000 btu Burner	\$59.99
OAS-LPK41	LP Conversion Kit for 65,000 btu Burner	\$59.99

Note: AWS and TFS are NOT field convertible, must order gas specific

Optional Accessories

GWS-3030	Square Windshield, Fits FPB-26 Burners	\$219.99
LID-26S	SS Square Lid, Fits FPB-26 Burners	\$319.99

SOME BRANDS ARE ONLY AVAILABLE IN SELECTED AREAS, SEE PAGE 6 OR CONTACT YOUR REGIONAL SALES MANAGER FOR MORE INFO.

Pricing, model numbers and availability are subject to change without notice.

Burning Spur, H and T Burner Kits

Model No.	Description	List Price
Burning Spur Kits (MT)		
Includes: 46" Flex Line, Key Valve, Cover and 12" Chrome Key		
DBS-36K	36" SS Burning Spur Kit, 250,000 btu's - NG	\$375.99
DBS-31K	31" SS Burning Spur Kit, 175,000 btu's - NG	\$355.99
DBS-22K	22" SS Burning Spur Kit, 125,000 btu's - NG	\$285.99
DBS-16K ❖	16" SS Burning Spur Kit, 75,000 btu's - NG	\$265.99



Burning Spur Kits

H Burner Kits (MT) NEW		
Includes: Key Valve and Key		
FG-H-8110SSK ❖	81" X 10" H Style Burner Kit, 225,000 btu - NG	\$350.99
FG-H-6910SSK ❖	69" x 10" H Style Burner Kit, 200,000 btu - NG	\$324.99
FG-H-5710SSK ❖	57" x 10" H Style Burner Kit, 175,000 btu - NG	\$314.99
FG-H-4806SSK ❖	48" X 6" H Style Burner Kit, 175,000 btu's - NG	\$295.99
FG-H-3606SSK ❖	36" x 6" H Style Burner Kit, 125,000 btu's - NG	\$276.99



H-Burner Kit 10"

T Burner Kits (MT) NEW		
Includes: Key Valve and Key		
FG-T-81SSK ❖	81" T Style Burner Kit, 175,000 btu - NG	\$291.00
FG-T-69SSK ❖	69" T Style Burner Kit, 150,000 btu - NG	\$269.00
FG-T-57SSK ❖	57" T Style Burner Kit, 125,000 btu - NG	\$253.00
FG-T-45SSK ❖	45" T Style Burner Kit, 100,000 btu - NG	\$216.00
FG-T-33SSK ❖	33" T Style Burner Kit, 75,000 btu - NG	\$209.00



H-Burner Kit 6"

Universal LP Conversion Kits		
OAS-LPK12	LP Conversion Kit for 250,000 btu Burner	\$59.99
OAS-LPK19 ❖	LP Conversion Kit for 225,000 btu Burner	\$59.99
OAS-LPK22 ❖	LP Conversion Kit for 200,000 btu Burner	\$59.99
OAS-LPK26	LP Conversion Kit for 175,000 btu Burner	\$59.99
OAS-LPK29	LP Conversion Kit for 150,000 btu Burner	\$59.99
OAS-LPK31	LP Conversion Kit for 125,000 btu Burner	\$59.99
OAS-LPK35 ❖	LP Conversion Kit for 100,000 btu Burner	\$59.99
OAS-LPK41	LP Conversion Kit for 65,000 btu Burner	\$59.99



T-Burner Kit

Note: AWS and TFS are NOT field convertible, must order gas specific

SOME BRANDS ARE ONLY AVAILABLE IN SELECTED AREAS, SEE PAGE 6 OR CONTACT YOUR REGIONAL SALES MANAGER FOR MORE INFO.

Pricing, model numbers and availability are subject to change without notice.

❖ - Non-Stock, Special Order - NO RETURNS or CANCELLATIONS



Line of Fire (LOF) Series Burners NEW

Model No.	Description	List Price
LOF-H Drop-In Pans - MT		
LOF-7216HMT-N ❖	72" X 16" H Drop-In Burner, 200,000 btu's - NG	\$1,135.00
LOF-6016HMT-N ❖	60" X 16" H Drop-In Burner, 175,000 btu's - NG	\$850.00
LOF-4814HMT-N ❖	48" X 14" H Drop-In Burner, 150,000 btu's - NG	\$835.00
LOF-4214HMT-N ❖	42" X 14" H Drop-In Burner, 125,000 btu's - NG	\$768.00



LOF-H Drop-In

LOF-H Flat Pans - MT		
LOF-7216FHMT-N ❖	72" x 16" H Flat Burner, 200,000 btu' s - NG	\$804.00
LOF-6016FHMT-N ❖	60" x 16" H Flat Burner, 175,000 btu' s - NG	\$715.00
LOF-4814FHMT-N	48" x 14" H Flat Burner, 150,000 btu' s - NG	\$604.00
LOF-3614FHMT-N	36" x 14" H Flat Burner, 125,000 btu' s - NG	\$722.00



LOF-H Flat

LOF-T Drop-In Pans - MT		
LOF-7206TMT-N ❖	72" X 6" T Drop-In Burner, 150,000 btu's - NG	\$759.00
LOF-6006TMT-N ❖	60" x 6" T Drop-In Burner, 125,000 btu's - NG	\$666.00
LOF-4806TMT-N ❖	48" x 6" T Drop-In Burner, 100,000 btu's - NG	\$590.00
LOF-3606TMT-N ❖	36" x 6" T Drop-In Burner, 75,000 btu' s- NG	\$525.00



LOF-T Drop-In

LOF-T Flat Pans - MT		
LOF-7208FTMT-N ❖	72" x 8" H Flat Burner, 200,000 btu' s - NG	\$541.00
LOF-6008FTMT-N	60" x 8" H Flat Burner, 175,000 btu' s - NG	\$478.00
LOF-4808FTMT-N	48" x 8" H Flat Burner, 150,000 btu' s - NG	\$438.00
LOF-3608FTMT-N	36" x 8" H Flat Burner, 125,000 btu' s - NG	\$408.00



LOF-T Flat

Universal LP Conversion Kits

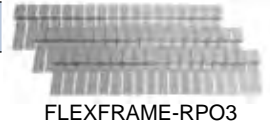
OAS-LPK22 ❖	LP Conversion Kit for 200,000 btu Burner	\$59.99
OAS-LPK26	LP Conversion Kit for 175,000 btu Burner	\$59.99
OAS-LPK29	LP Conversion Kit for 150,000 btu Burner	\$59.99
OAS-LPK31	LP Conversion Kit for 125,000 btu Burner	\$59.99
OAS-LPK41	LP Conversion Kit for 65,000 btu Burner	\$59.99

Note: LOF Burners are available in AWS and additional sizes.

SOME BRANDS ARE ONLY AVAILABLE IN SELECTED AREAS, SEE PAGE 6 OR CONTACT YOUR REGIONAL SALES MANAGER FOR MORE INFO.

Pricing, model numbers and availability are subject to change without notice.

Model No.	Description	List Price
Flexframes		
<ul style="list-style-type: none"> • Allows you the flexibility to fill the gap between the firepit structure and the pan. • Allows you to easily remove the burner without disturbing the structure. • Flexibe and easy to adapt for round, square, and rectangular fire pits. 		
FLEXFRAME-PRO3	Flex Frame - Three (3) 44" Pieces per Package, Wider Version, up to 5" larger than firepit OD size NEW	\$264.99
FLEXFRAME-SS3	Flex Frame - Three (3) 44" Pieces per Package	\$167.99
FLEXFRAME-SS	Flex Frame - Two (2) 44" Pieces per Package	\$99.99



SRW (Segmental Retaining Wall) / Paver Control Panels		
<ul style="list-style-type: none"> • For use when building fire pit enclosures with SRW block and a burner system. • Includes SRW Bracket Kit and Extender, Lintel - 12" L x 3" W, Screws and Fittings, Tapcon Concrete Anchors 		
PAVER-CP-AWS	Paver Control Panel for AWS Burner Systems	\$59.99
PAVER-CP-TMSI	Paver Control Panel for TMSI Burner Systems	\$59.99
PAVER-CP-MT	Paver Control Panel for MT Burner Systems	\$84.99
PAVER-CP-MT-MSI	Paver Control Panel for MT Burner Systems, also Includes: Face Plate, Battery Operated Piezo Ignitor and Ignition Hood. Use when upgrading a MT to a MSI.	\$214.99



SRW / Paver Vent Kits		
<ul style="list-style-type: none"> •Extends Overall Size up to 10" W •Includes 2 Lintels, 12" L x 3" W, 20 Gauge Galvanized Steel •Each Vent Provides 18 sq. in. of Ventilation 		
PAVER-VENT-6LNTS	SS Paver Vent Kit with Lintel, (2) 5 5/8" H x 8" W Vent	\$109.99
PAVER-VENT-4LNTS	SS Paver Vent Kit with Lintel, (2) 3 5/8" H x 8" W Vent	\$99.99



SOME BRANDS ARE ONLY AVAILABLE IN SELECTED AREAS, SEE PAGE 6 OR CONTACT YOUR REGIONAL SALES MANAGER FOR MORE INFO.
 Pricing, model numbers and availability are subject to change without notice.

❖ - Non-Stock, Special Order - NO RETURNS or CANCELLATIONS

Media and Jewelry

Model No.	Description	List Price
Media		
FG-LAVA-40	Lava Rock - 40 lb. Bag of approx. 1" to 2" Diam.	\$79.99
FG-LAVA-10	Lava Rock - 10 lb. Bag of approx. 1" to 2" Diam.	\$23.99
FG-LS50	Lava Stones - 50 lb. Bag of approx. 1" to 2" Diam.	\$129.99
Broken Glass - 10 lb Jug		
GL-BLACK-10	Black Broken Glass - 10 lbs.	\$59.99
GL-COPPER-10	Copper Broken Glass - 10 lbs.	\$59.99
GL-CRYSTAL-10	Crystal Broken Glass - 10 lbs.	\$59.99
GL-LIGHTBLUE-10	Lightblue Broken Glass - 10 lbs.	\$59.99
GL-SEABREEZE-10	Seabreeze Broken Glass - 10 lbs.	\$59.99
GL-DARKBLUE-10 ❖	Dark Blue Broken Glass - 10 lbs.	\$59.99



Lava Rock



Lava Stones

Reflective Glass - 10 lb Jug		
GRL-BLACK-10	Black Reflective Glass - 10 lbs.	\$73.99
GRL-BRONZE-10	Bronze Reflective Glass - 10 lbs.	\$73.99
GRL-COBALT-10	Cobalt Reflective Glass - 10 lbs.	\$73.99
GRL-COPPER-10	Copper Reflective Glass - 10 lbs.	\$73.99
GRL-SILVER-10	Silver Reflective Glass - 10 lbs. NEW	\$73.99
GRL-TAHITI-10 ❖	Tahiti Reflective Glass - 10 lbs.	\$73.99

Broken Glass

Approximately 1/2" to 3/4" in size.

Sold in 10lb jugs

NEW



Black
GL-BLACK-10



Copper
GL-COPPER-10



Crystal
GL-CRYSTAL-10



Light Blue
GL-LIGHTBLUE-10



Seabreeze
GL-SEABREEZE-10



Reflective Glass

Approximately 1/2" to 3/4" in size.

Sold in 10lb jugs



Black
GRL-BLACK-10



Bronze
GRL-BRONZE-10



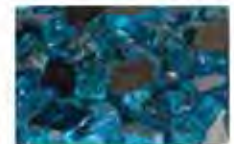
Cobalt
GRL-COBALT-10



Copper
GRL-COPPER-10



Silver
GRL-SILVER-10



Tahiti
GRL-TAHITI-10

SOME BRANDS ARE ONLY AVAILABLE IN SELECTED AREAS, SEE PAGE 6 OR CONTACT YOUR REGIONAL SALES MANAGER FOR MORE INFO.

Pricing, model numbers and availability are subject to change without notice.

Media and Jewelry Continued

Model No.	Description	List Price
Steel Log and Twig Sets		
L-IW-XL ❖	Ironwood Steel, 14 Piece, Log Set. Recommended to use with any Round or Square Firepit 39" to 60"	\$3,699.99
L-IW-LG ❖	Ironwood Steel, 14 Piece, Log Set. Recommended to use with any Round or Square Firepit 33" to 46"	\$3,159.99
L-IW-MED ❖	Ironwood Steel, 11 Piece, Log Set. Recommended to use with any Round or Square Firepit 29" to 40"	\$1,949.99
L-IW-SM ❖	Ironwood Steel, 7 Piece, Log Set. Recommended to use with any Round or Square Firepit 25" to 34"	\$1,109.99
L-IW-TWIG1214 ❖	Steel, 5 Piece, Twig Set. Recommended to use with 24"-36" H and T Burner Systems	\$899.99
L-IW-TWIG810 ❖	Steel, 5 Piece, Twig Set. Recommended to use with 24" H and T Burner Systems	\$619.99



L-IW-LG

Refractory Concrete Log and Twig Sets		
L-SEDONA	Sedona 19 pc. Log Set, Stacks up to 32" High. Min. of 25" Diameter.	\$799.99
L-SF	Spit Fire 17 pc. Log Set. Min. of 19" Diameter.	\$339.99
L-BR-6084	Birch , 6 pc., Log Set. Recommended to use with 25" Round Pan, 26" Disc or 60"-84" H and T Burner Systems	\$379.99
L-BR-3048 ❖	Birch , 5 pc., Log Set. Recommended to use with 16"-19" Round Pans or 24"-48" H and T Burner Systems	\$319.99
L-DW-6084	Driftwood, 6 pc., Log Set. Recommended to use with 25" Round Pan, 26" Disc or 60"-84" H and T Burner Systems	\$449.99
L-DW-3048 ❖	Driftwood, 5 pc., Log Set. Recommended to use with 16"-19" Round Pan or 24"-48" H and T Burner Systems	\$349.99
L-NO-6084 ❖	New Oak, 6 pc., Log Set. Recommended to use with 25" Round Pan, 26" Disc or 60"-84" H and T Burner Systems	\$429.99
L-NO-3048 ❖	New Oak, 5 pc., Log Set. Recommended to use with 16"-19" Round Pans or 24"-48" H and T Burner Systems	\$349.99



L-BR-6084



L-DW-6084

SOME BRANDS ARE ONLY AVAILABLE IN SELECTED AREAS, SEE PAGE 6 OR CONTACT YOUR REGIONAL SALES MANAGER FOR MORE INFO.

Pricing, model numbers and availability are subject to change without notice.

❖ - Non-Stock, Special Order - NO RETURNS or CANCELLATIONS



HOW MUCH MEDIA SHOULD I USE?

ROUND FIRE PITS

INSIDE DIAMETER OF FIRE PIT	LAVA ROCK ONLY	LAVA ROCK AS A BASE	GLASS ON TOP OF LAVA ROCK	LAVA STONES ON TOP OF LAVA ROCK
16"	10 lbs	5 lbs	10 lbs	10 lbs
19"	10 lbs	10 lbs	20 lbs	15 lbs
25"	15 lbs	15 lbs	30 lbs	20 lbs
29"	20 lbs	20 lbs	40 lbs	25 lbs
33"	25 lbs	25 lbs	50 lbs	30 lbs
34"	30 lbs	25 lbs	60 lbs	30 lbs
44"	45 lbs	35 lbs	70 lbs	50 lbs

SQUARE FIRE PITS

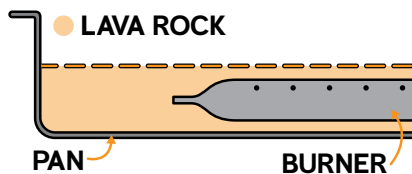
INSIDE DIAMETER OF FIRE PIT	LAVA ROCK ONLY	LAVA ROCK AS A BASE	GLASS ON TOP OF LAVA ROCK	LAVA STONES ON TOP OF LAVA ROCK	LAVA BOULDERS ON TOP OF LAVA ROCK
20"	10 lbs	10 lbs	20 lbs	15 lbs	1/2 box
26"	15 lbs	15 lbs	30 lbs	20 lbs	3/4 box
32"	25 lbs	25 lbs	50 lbs	30 lbs	1 box
38"	30 lbs	30 lbs	60 lbs	35 lbs	1 1/4 boxes

LINE OF FIRE

MODEL	LAVA ROCK ONLY	GLASS ONLY	LAVA STONES ONLY
LOF-30LHTMSI-N	20 lbs	25 lbs	20 lbs
LOF-36LHTMSI-N	25 lbs	35 lbs	25 lbs
LOF-48LHTMSI-N	35 lbs	55 lbs	35 lbs
LOF-30LTTMSI-N	10 lbs	20 lbs	10 lbs
LOF-36LTTMSI-N	15 lbs	25 lbs	15 lbs
LOF-48LTTMSI-N	20 lbs	30 lbs	20 lbs
LOF-60LTTMSI-N	25 lbs	40 lbs	25 lbs

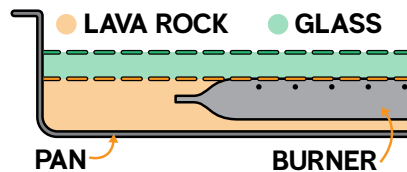
LAVA ROCK ONLY

When using lava rock, use enough to cover entire burner. Do not over-fill. Just use enough to hide the burner from view.



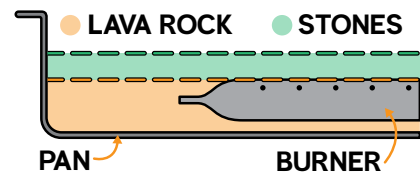
LAVA ROCK & GLASS

In order to use glass, you must lay down a layer of lava rock. Fill the pan with lava rock until it is level with the top of the burner. Then take your glass and lay it on top of the lava rock and burner. The glass should only be 3/4" to 1" thick, or just enough to cover the burner.



LAVA ROCK & STONES

In order to use lava stones, you must lay down a layer of lava rock. Fill the pan with lava rock until it is level with the top of the burner. Then take your lava stones and lay it on top of the lava rock and burner. The lava stones should only be one layer thick, just enough to cover the burner.



SOME BRANDS ARE ONLY AVAILABLE IN SELECTED AREAS, SEE PAGE 6 OR CONTACT YOUR REGIONAL SALES MANAGER FOR MORE INFO. Pricing, model numbers and availability are subject to change without notice.



Model No.	Description	List Price
ESTOP Timers and Accessories		
<ul style="list-style-type: none"> • No Power Required • High Btu Capacity • Innovative Multi-Port Design Provides Installation Flexibility • 1/2" NPT Inlets and Outlets (side and back) • NG or LP - NO Conversion Necessary 		
ESTOP2-5H	2.5 Hour Countdown Mechanical Timer with Manual Emergency Shut-off	\$135.99
ESTOP1-0H	1 Hour Countdown Mechanical Timer with Manual Emergency Shut-off	\$135.99
ESTOP-CP-KIT	Control Panel designed for ESTOP1-0H and ESTOP2-5H Timers	\$119.99
ESTOP-LC-KIT	Locking Cabinet for ESTOP1-0H and ESTOP2-5H Timers (Removable Lock)	\$139.99
ESTOP-RM-KIT	Surface Mount Enclosure for ESTOP1-0H and ESTOP2-5H Timers	\$79.99



ESTOP2-5H



ESTOP-RM-KIT

Controls and Accessories		
MSI-BSMTI	Manual Spark Ignition Kit for FPB "MT" Systems Featuring the Burning Spur	\$175.99
TMR-AF1TX ❖	Wireless Wall Timer (30/60/90/120min), for TFS units only	\$116.00
FG-WS-OD	Wired Wall Switch - Housed in Weatherproof J-Box with Weatherproof Cover	\$129.99
RCAF-3TX ❖	On/Off/Hi/Lo Transmitter	\$105.00
FG-EMER-STOP	Electronic Emergency Stop for 120VAC or 30DVC Appliances. Housed in Weatherproof J-Box and Cover.	\$269.99
FG-TIMER-2HR	Two (2) Hour Mechanical Timer, requires 110V	\$199.99



MSI-BSMTI

Key Valve and Key / Vent Kit		
KEY-PC-12	12" Chrome Key Only	\$16.99
KV-PC-12	High Capacity Straight Key Valve with Chrome Cover and 12" Key, 350,000 btu @ 1/2 PSI	\$70.39
VENT-KIT6X12SS	2-6" H x 12" W Vent Kit with Mounting Screws. Each Vent Provides 18 sq. in. of Ventilation.	\$59.99



VENT-KIT-6X12SS

Hoses and Regulators		
FG-12QDK ❖	Quick Disconnect Kit for use with LKP ro NG - 12' (144"), 3/8 I.D.	\$71.99
FG-60LPHRK	60" LP Hose and Regulator Kit. Rated at 130,000 btu @ 10" W.C.	\$71.99
FG-32LPHRK ❖	32" LP Hose and Regulator Kit. Rated at 85,375 btu @ 10" W.C.	\$49.99
FG-LPQDK ❖	LP Quick Disconnect Kit - Includes 12', 1/2" OD, 3/8" OD, Gray PVC Hose with Quick Disconnect Fitting	\$159.99
FG-LPRK ❖	100K Btu Propane Regulator, 3/8" MPT Adapter and Acme Quick Connect	\$29.99



FG-60LPHRK

SOME BRANDS ARE ONLY AVAILABLE IN SELECTED AREAS, SEE PAGE 6 OR CONTACT YOUR REGIONAL SALES MANAGER FOR MORE INFO.
 Pricing, model numbers and availability are subject to change without notice.

❖ - Non-Stock, Special Order - NO RETURNS or CANCELLATIONS

KALEA BAY



Kalea Bay Outdoor Linear Gas Fireplace

Make a modern statement with the all-new Kalea Bay LED & Non-LED outdoor linear gas fireplace. Designed with a clean and contemporary style in mind. No chimney or venting required makes it an ideal product for quick & efficient framing & finishing.

Features

- LED Models: Full spectrum lighting - Requires 120VAC power.
- Non-LED Models: Battery-operated Ignition.
- Four Sizes 36" / 48" / 60" / 72" (all 16" tall opening).
- Burner & firebox constructed of weather/corrosion resistant 304 stainless steel.
- Ecoflow Electronic Ignition System features built-in safety shutoff in case of loss of flame and auto-relight.
- Control Center with each model housed in 304 Stainless Steel Cabinet.
- Ships as Natural Gas (NG) or Liquid Propane (LP). Field Convertible to Liquid Propane (LP). Conversion Kits sold separately.
- Tested & Approved to: ANSI Z21.97-2014/CSA 2.41-2014 standards.



LED Models



Controls: On / Off, Low / High, Continuous Pilot, Learn & LED On/Off.



Use the RGB dials to get your desired color, there are over 16 million to choose from!

NON-LED Models



Controls: On / Off, Low / High, Continuous Pilot, & Learn.



Easy access to the battery tray makes maintenance for the Kalea Bay a breeze.

Model No.	Description	List Price
Kalea Bay - Outdoor Linear Gas Fireplace		

Features:

- Full Spectrum Lighting
- Requires 120VAC Power
- 16" Tall Opening
- Ecoflow Electric Ignition System
- Control Center Housed in 304 Stainless Steel Cabinet
- Includes 2-12" x 6" Vents and Glass Deflector Shield



OFP-36LECO-NLED ❖	36" Kalea Bay Fireplace NG with LED Lights, 31,500 Btu	\$3,499.99
OFP-36COV ❖	36" SS Weather Cover	\$345.99
73231 ❖	36" See-Through Kit (fits 2018 &2019 models)	\$299.99
78002 ❖	36" See-Through Kit (fits 2020 models)	\$348.99
OFP-36LECO-LPK ❖	36" NG to LP Conversion Kit	\$58.99

Framing Dimensions: 40 1/2"W x 37 3/4"H x 15 3/4"D, for See Through Reduce the Depth by 3/4"

OFP-48LECO-NLED	48" Kalea Bay Fireplace NG with LED Lights, 43,500 Btu	\$3,749.99
OFP-48COV	48" SS Weather Cover	\$456.99
74231 ❖	48" See-Through Kit (fits 2018 &2019 models)	\$325.99
78004 ❖	48" See-Through Kit (fits 2020 models)	\$348.99
OFP-48LECO-LPK	48" NG to LP Conversion Kit	\$58.99

Framing Dimensions: 52 1/2"W x 37 3/4"H x 15 3/4"D, for See Through Reduce the Depth by 3/4"

OFP-60LECO-NLED	60" Kalea Bay Fireplace NG with LED Lights, 50,000 Btu	\$3,999.99
OFP-60COV	60" SS Weather Cover	\$586.99
75231 ❖	60" See-Through Kit (fits 2018 &2019 models)	\$349.99
78006 ❖	60" See-Through Kit (fits 2020 models)	\$348.99
OFP-60LECO-LPK	60" NG to LP Conversion Kit	\$58.99

Framing Dimensions: 64 1/2"W x 37 3/4"H x 15 3/4"D, for See Through Reduce the Depth by 3/4"

OFP-72LECO-NLED	72" Kalea Bay Fireplace NG with LED Lights, 65,000 Btu	\$4,999.99
OFP-72COV	72" SS Weather Cover	\$699.99
76231 ❖	72" See-Through Kit (fits 2018 &2019 models)	\$389.99
78008 ❖	72" See-Through Kit (fits 2020 models)	\$348.99
OFP-72LECO-LPK	72" NG to LP Conversion Kit	\$58.99

Framing Dimensions: 75 1/2"W x 37 3/4"H x 15 3/4"D, for See Through Reduce the Depth by 3/4"

Note: The Kalea Bay requires Firegear GL, GLR or Lava Rock to be installed into the burner trough. Covering the entire burner area is required. See page 112 for Media Options

Large Broken Glass	
Model#	1 Burner Pan and Trough
OFP-36	15lbs
OFP-48	20lbs
OFP-60	25lbs
OFP-72	25lbs

SOME BRANDS ARE ONLY AVAILABLE IN SELECTED AREAS, SEE PAGE 6 OR CONTACT YOUR REGIONAL SALES MANAGER FOR MORE INFO.
Pricing, model numbers and availability are subject to change without notice.

❖ - Non-Stock, Special Order - NO RETURNS or CANCELLATIONS



SANCTUARY SERIES

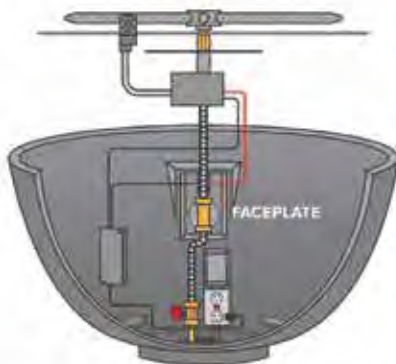


Ignition Systems Sanctuary Series



AWS Systems

All Weather Electronic System



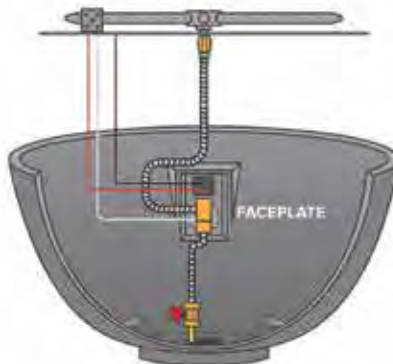
Our top of the line fully electronic ignition system. Ships with a GEO-30VDC power supply and an on/off toggle switch.



AWS Faceplate

TMSI Systems

Thermocouple Manual Safety (Spark Ignition)



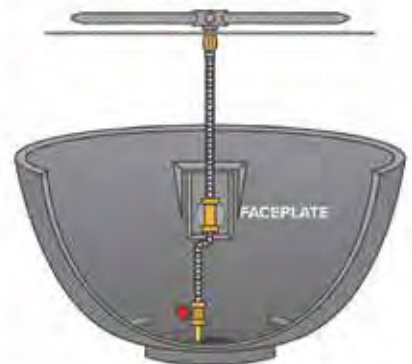
Battery operated manual spark ignition system using a variable flame control knob. Safety valve turns gas off in case of flame loss.



TMSI Faceplate

MT Systems

Match Throw



Easy lighting with a butane lighter or match. Variable flame height adjustment using a key valve.



MT Faceplate

Weather Cover



Durable Rhinoweave fabric. Breathable & water-resistant. Spring clinch lock offers secure fit. Machine washable. 1 year warranty.

Propane Tank Holder



Holds one (1) 20 lb. tank. Easy to remove top. Weight: 159 lb. Dimensions: 20" W x 21 1/2" H

Model No.	Description	List Price
Sanctuary Series 1		

Features:

- TMSI (Thermcouple Manual Safety Ignition)
- High Strength, Glass Fiber Reinforced Concrete
- 56"L x 38"W x 16"H
- Includes Weather Cover
- Approved with Fireglass (27 lbs) or Lava Rock (17 lbs) or Lava Stones (34 lbs)

SAN1-30LHTMSI-SL	Fire Bowl, Includes LOF-30LHTMSI-N, 65,000 Btu, NG - Slate (Gray)	\$3,199.99
SAN1-30LHTMSI-AR ❖	Fire Bowl, Includes LOF-30LHTMSI-N, 65,000 Btu, NG - Artic (White)	\$3,199.99
SAN1-30LHTMSI-CR ❖	Fire Bowl, Includes LOF-30LHTMSI-N, 65,000 Btu, NG - Cream	\$3,199.99
SAN1-30LHTMSI-MO ❖	Fire Bowl, Includes LOF-30LHTMSI-N, 65,000 Btu, NG - Mocha (Brown)	\$3,199.99
SAN1-30LHTMSI-RA ❖	Fire Bowl, Includes LOF-30LHTMSI-N, 65,000 Btu, NG - Raven (Black)	\$3,199.99

Note: Available in AWS (Fully Electronic Ignition, January 2021)

Sanctuary Series 2		
---------------------------	--	--

Features:

- TMSI (Thermcouple Manual Safety Ignition)
- High Strength, Glass Fiber Reinforced Concrete
- 39" Diameter x 18"H
- Includes Weather Cover
- Approved with Lava Rock Only, Requires 57 lbs

SAN2-34DBSTMSI-SL	Fire Bowl, Includes FPB-34DBSTMSI-N, 65,000 Btu, NG - Slate (Gray)	\$2,499.99
SAN2-34DBSTMSI-AR ❖	Fire Bowl, Includes FPB-34DBSTMSI-N, 65,000 Btu, NG - Artic (White)	\$2,499.99
SAN2-34DBSTMSI-CR ❖	Fire Bowl, Includes FPB-34DBSTMSI-N, 65,000 Btu, NG - Cream	\$2,499.99
SAN2-34DBSTMSI-MO ❖	Fire Bowl, Includes FPB-34DBSTMSI-N, 65,000 Btu, NG - Mocha (Brown)	\$2,499.99
SAN2-34DBSTMSI-RA ❖	Fire Bowl, Includes FPB-34DBSTMSI-N, 65,000 Btu, NG - Raven (Black)	\$2,499.99

Note: Available in MT (Match Throw Ignition) and AWS (Fully Electronic Ignition)

Sanctuary Series 3		
---------------------------	--	--

Features:

- TMSI (Thermcouple Manual Safety Ignition)
- High Strength, Glass Fiber Reinforced Concrete
- 29" Diameter x 14"H
- Includes Weather Cover
- Approved with Lava Rock Only, Requires 24 lbs

SAN3-26DBSTMSI-SL	Fire Bowl, Includes FPB-26DBSTMSI-N, 65,000 Btu, NG - Slate (Gray)	\$1,699.99
SAN3-26DBSTMSI-AR ❖	Fire Bowl, Includes FPB-26DBSTMSI-N, 65,000 Btu, NG - Artic (White)	\$1,699.99
SAN3-26DBSTMSI-CR ❖	Fire Bowl, Includes FPB-26DBSTMSI-N, 65,000 Btu, NG - Cream	\$1,699.99
SAN3-26DBSTMSI-MO ❖	Fire Bowl, Includes FPB-26DBSTMSI-N, 65,000 Btu, NG - Mocha (Brown)	\$1,699.99
SAN3-26DBSTMSI-RA ❖	Fire Bowl, Includes FPB-26DBSTMSI-N, 65,000 Btu, NG - Raven (Black)	\$1,699.99

Note: Available in MT (Match Throw Ignition) and (AWS) Fully Electronic Ignition

Continued on next page



Sanctuary Series 1



Sanctuary Series 2



Sanctuary Series 3

SOME BRANDS ARE ONLY AVAILABLE IN SELECTED AREAS, SEE PAGE 6 OR CONTACT YOUR REGIONAL SALES MANAGER FOR MORE INFO.

Pricing, model numbers and availability are subject to change without notice.

❖ - Non-Stock, Special Order - NO RETURNS or CANCELLATIONS



Model No.	Description	List Price
Sanctuary Series Accessories		
Tank Enclosures		
SANCTUARY-LPTE-SL	LP Tank Enclosure (Fits Standard 20lb., 5 Gallon) Tank/Side Table - Slate (Gray)	\$899.99
SANCTUARY-LPTE-AR ❖	LP Tank Enclosure (Fits Standard 20lb., 5 Gallon) Tank/Side Table - Artic (White)	\$899.99
SANCTUARY-LPTE-CR ❖	LP Tank Enclosure (Fits Standard 20lb., 5 Gallon) Tank/Side Table - Cream	\$899.99
SANCTUARY-LPTE-MO ❖	LP Tank Enclosure (Fits Standard 20lb., 5 Gallon) Tank/Side Table - Mocha (Brown)	\$899.99
SANCTUARY-LPTE-RA ❖	LP Tank Enclosure (Fits Standard 20lb., 5 Gallon) Tank/Side Table - Raven (Black)	\$899.99
Covers - Included with Unit		
COVER-SAN1 ❖	Deluxe Weather Cover for Sanctuary 1	\$105.99
COVER-SAN2 ❖	Deluxe Weather Cover for Sanctuary 2	\$89.99
COVER-SAN3 ❖	Deluxe Weather Cover for Sanctuary 3	\$69.99
OAS-LPK41	NG to LP Conversion Kit for 75,000 Btu	\$59.99
FG-LAVA-50	50lb Bag of 1" to 2" Black Lava Rock	\$79.99
FG-LAVA-10	10lb Bag of 1" to 2" Black Lava Rock	\$23.99



SANCTUARY-LPTE-SL LP Tank Enclosure

Note: See glass media options on page 110.

SOME BRANDS ARE ONLY AVAILABLE IN SELECTED AREAS, SEE PAGE 6 OR CONTACT YOUR REGIONAL SALES MANAGER FOR MORE INFO.
Pricing, model numbers and availability are subject to change without notice.

Model No.	Description	List Price
Common Replacement Parts and Kits		
Common Replacement Parts		
3042-RB	Manual Spark Ignitor Module with Red Button	\$29.99
911-006 ❖	NG Pilot Assembly	\$95.24
FG-1420-AOD ❖	Remote W/110 RX/JBox/Cover	\$212.99
FG-FBDC ❖	Main Controller Module (AWS)	\$604.00
FG-AWS-HARDWARE-BAG ❖	Hardware Bag for AWS Systems	\$45.99
FG-AWS-PBO-P ❖	Pilot burner orifice for FG-AWS30VDC-GOEK and FG-AWS30VDC-K	\$50.99
FG-GASVALVE-1 ❖	Gas valve (non-piloted) for LOF TMSI system	\$63.99
FG-GASVALVE-2 ❖	Gas Valve (piloted) Fits:LOF-48LHTMSI-NLOF-48LTTMSI-NLOF-60LTTMSI-N	\$98.99
FG-IGNIT-ASSY-PI ❖	Ignition Assembly for Piloted TMSI Line Of Fire Systems	\$23.99
FG-AWS30VDC-K ❖	AWEIS Valve System	\$2,229.99
FG-SPARK-IGN	Spark Igniter Assembly	\$32.99
FG-THERMOCOUPLE ❖	Thermocouple for non-piloted TMSI Line Of Fire system	\$29.99
GWS-BRACKET-S	8 Windshield Clips	\$129.99
PIEZO25WH ❖	Wire Harness for Piezo	\$9.85
PILOTO-23300-206 ❖	Pilot Assembly - for TFS Systems	\$49.99
ST3-040-1023	Thermocouple - for TFS Systems	\$18.59
ST3-040-1025	Copreci Thermocouple for TMS/TMSI Systems	\$18.59
ST3-050-1024 ❖	Manual Gas Valve Knob - TMS	\$4.42
ST3-080-1009	Copreci Manual Gas Valve - TMSI ignition	\$89.00
TFS-IGNT-ASSEMBLY	Ignitor Assembly - For use in TFS systems	\$103.30
TMSI-TC-ASSEMBLY ❖	Thermocouple/Rainshield Replacement	\$74.99
VCS-5000DSI2P01	Ignitor Probe for TFS/TMSI	\$32.34
VCS-5000DSIB01	Thermocouple Bracket	\$14.06
VCS-5000MODTC	Ignition Module - for TFS Systems	\$99.99
Replacement Kits		
FG-AWS-SVC-KIT ❖	Parts Kit for AWS Burners- Includes: FG-TP Thermopile, FG-HSI Ignition, FG-AWS-CONTROLLER Module	\$420.99
FG-TMSI-PILOT-SVC-KIT ❖	Parts Kit for TMSI Burners - Includes: FG-IGNIT-ASSY-N NG Pilot Assembly, FG-SPARKK-IGN Spark Ignitor Assembly, FG-GASVALVE-2 Gas Valve, FG-CONTROL-KNOB	\$199.99
FG-TFS-SVC-KIT ❖	Parts Kit for TFS Burners - Includes: VCS-5000MODTC Module, AF-4000BP12 Battery Pack, TFS-IGNT-ASSEMBLY Ignitor Assembly, ST3-100-1027 Mesh Screen Cover, ST3-113-1028 Screws	\$379.99
FG-LTFS-SVC-KIT ❖	Parts Kit for TFS Burners - Includes: PILOTO23300-206 Pilot Assembly, VCS-5000MODTC Module, AF-4000BP12 Battery Pack	\$379.99
FG-TMSI-SVC-KIT ❖	Parts Kit for TMSI Burners - Includes: TMS-TC-ASSEMBLY Thermocouple/Rainshield, ST3-080-1009 Valve, ST3-110-1005 Mounting Nut, ST3-050-1024 Knob, 3042-RB Spark Ignitor Module, PIEZO23WH 23" Extension Wire, PIEZP48WH 48" Extension Wire, ST3-100-1027 Mesh Screen Cover, ST3-113-1028 Screws	\$289.99

SOME BRANDS ARE ONLY AVAILABLE IN SELECTED AREAS, SEE PAGE 6 OR CONTACT YOUR REGIONAL SALES MANAGER FOR MORE INFO.

Pricing, model numbers and availability are subject to change without notice.

❖ - Non-Stock, Special Order - NO RETURNS or CANCELLATIONS