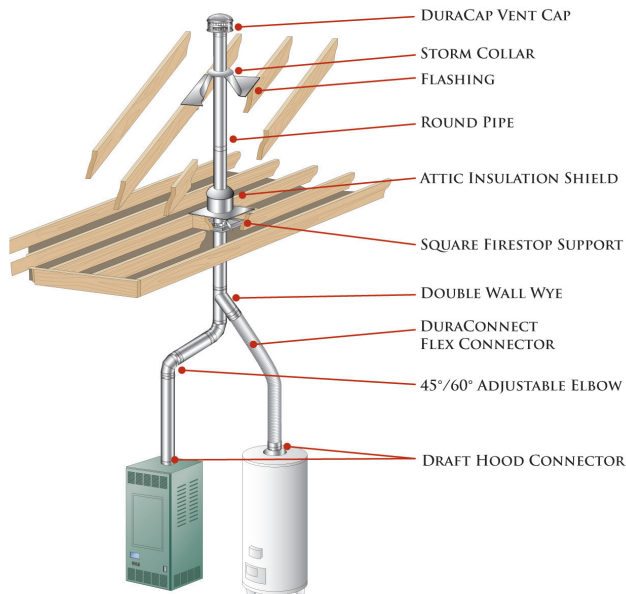


B-Vent

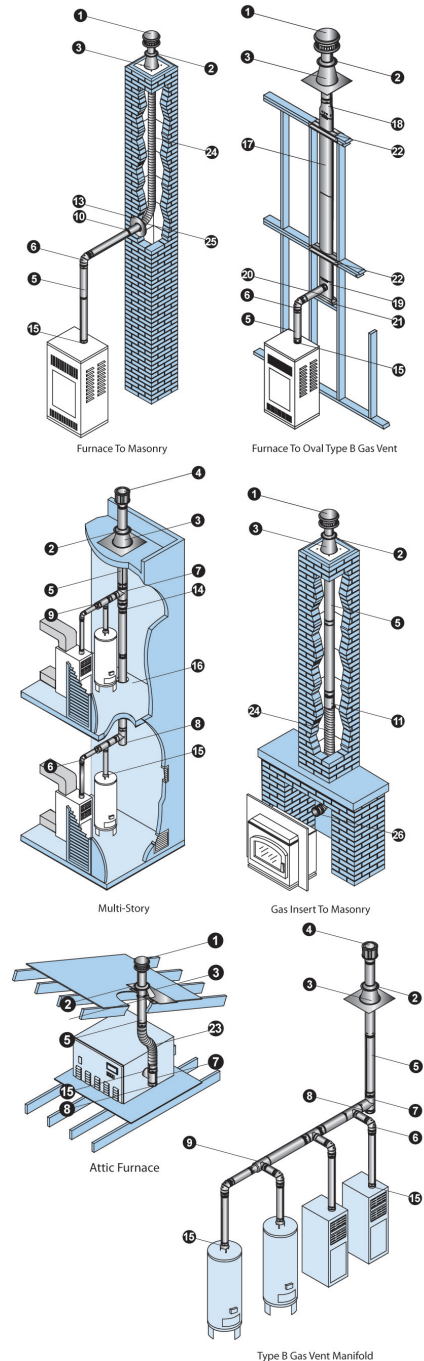
Installation Key			
1	DuraCap	14	Increaser
2	Storm Collar	15	Draft Hood Connector
3	Roof Flashing	16	Square Firestop Support
4	High-Wind Cap	17	Oval Pipe
5	Round Pipe	18	Oval to Round Adapter
6	Elbow	19	Oval Tee
7	Tee	20	Oval Tee Cap
8	Tee Cap	21	Oval Tee Support
9	Increaser Tee	22	Oval Firestop Spacer
10	Female Flex Adapter	23	DuraConnect II
11	Male Adapter	24	DuraFlex AL Length
12	Double-Wall Wye	25	DuraFlex Motar Sleeve
13	Pipe Collar	26	DuraFlex AL Coupling

Applications

DuraVent's Type B Gas Vent system. Use w/ NG or liquid propane category I and draft hood equipped appliances, and appliances tested and listed to use Type B Gas Vent. Applications include: NG fireplaces, gas-fired furnaces, boilers, water heaters, and wall or space heating applications.



Typical Installations



SOME BRANDS ARE ONLY AVAILABLE IN SELECTED AREAS, SEE MAP ON PAGE 4 OR CONTACT YOUR REGIONAL SALES MANAGER FOR MORE INFO.

Pricing, model numbers and availability are subject to change without notice. Call for most current information.

❖ - Non Stock Special Order - NO RETURNS or CANCELLATIONS

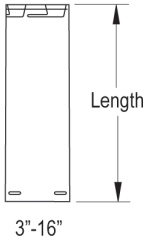
RMI Ph: 800-628-5044

raymurray.com

Venting Components – B-Vent

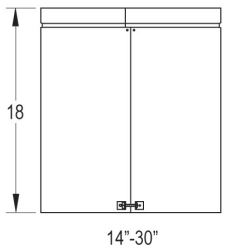
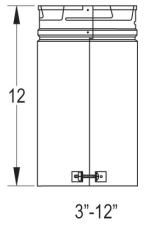
Round Rigid Pipe

SIZE	LENGTH	STOCK #	LIST PRICE	SIZE	LENGTH	STOCK #	LIST PRICE
3"	12"	3BV12	\$23.96	6"	6"	6BV06	\$40.43
3"	18"	3BV18	\$30.97	6"	12"	6BV12	\$41.50
3"	24"	3BV24	\$38.48	6"	18"	6BV18	\$47.96
3"	36"	3BV36	\$49.62	6"	24"	6BV24	\$66.72
3"	48"	3BV48	\$66.06	6"	36"	6BV36	\$86.67
3"	60"	3BV60	\$81.18	6"	48"	6BV48	\$111.83
4"	6"	4BV06	\$30.12	6"	60"	6BV60	\$131.07
4"	12"	4BV12	\$29.17	7"	12"	7BV12 ❖	\$61.47
4"	18"	4BV18	\$35.54	7"	18"	7BV18 ❖	\$76.30
4"	24"	4BV24	\$45.78	7"	24"	7BV24 ❖	\$95.63
4"	36"	4BV36	\$62.95	7"	36"	7BV36 ❖	\$126.52
4"	48"	4BV48	\$81.46	7"	48"	7BV48 ❖	\$160.64
4"	60"	4BV60	\$98.50	7"	60"	7BV60 ❖	\$196.28
5"	12"	5BV12	\$35.47	8"	12"	8BV12	\$68.05
5"	18"	5BV18	\$41.97	8"	18"	8BV18	\$77.60
5"	24"	5BV24	\$55.56	8"	24"	8BV24	\$110.13
5"	36"	5BV36	\$74.82	8"	36"	8BV36	\$140.69
5"	48"	5BV48	\$96.31	8"	48"	8BV48	\$192.57
5"	60"	5BV60	\$113.73	8"	60"	8BV60	\$223.69
				10"	12"	10BV12	\$188.09
				10"	18"	10BV18	\$204.34
				10"	24"	10BV24	\$258.70
				10"	36"	10BV36	\$289.23



Round Adjustable Pipe

SIZE	LENGTH	STOCK #	LIST PRICE
3"	3" – 10"	3BV12A	\$32.89
4"	3" – 10"	4BV12A	\$39.88
5"	3" – 10"	5BV12A	\$46.18
6"	3" – 10"	6BV12A	\$50.96
7"	3" – 10"	7BV12A ❖	\$64.90
8"	3" – 10"	8BV12A	\$77.43
10"	3" – 18"	10BV18A	\$308.94



SOME BRANDS ARE ONLY AVAILABLE IN SELECTED AREAS, SEE MAP ON PAGE 4 OR CONTACT YOUR REGIONAL SALES MANAGER FOR MORE INFO.

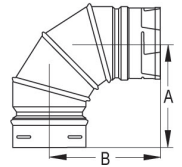
Pricing, model numbers and availability are subject to change without notice. Call for most current information.

Venting Components – B-Vent

90° Adjustable Elbow

Offsets obstructions as needed. Elbows (3"-8") swivel 360° at base. 90° elbow is adjustable from 0° to 90° in sizes 3'-10". Elbows must be supported when installed.

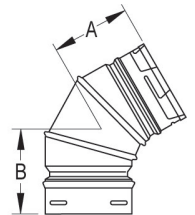
SIZE	STOCK #	LIST PRICE	A	B
3"	3BVL90	\$68.74	5 1/2"	5 1/4"
4"	4BVL90	\$81.36	6"	5 1/2"
5"	5BVL90	\$100.73	6 1/2"	6 1/2"
6"	6BVL90	\$116.33	6 3/4"	6 3/4"
7"	7BVL90 ❖	\$177.79	7 3/4"	7 1/2"
8"	8BVL90	\$178.82	7 3/4"	7 1/2"



45°/60° Adjustable Elbow

Offsets obstructions as needed. Elbows swivel 360° at base. 45°/60° elbow is adjustable from 0° to 60°. Elbows must be supported when installed.

SIZE	STOCK #	LIST PRICE	A	B
3"	3BVL45	\$39.55	4"	4"
4"	4BVL45	\$48.00	4 1/2"	4 1/2"
5"	5BVL45	\$55.16	4 1/2"	4 1/2"
6"	6BVL45	\$66.72	5"	5"



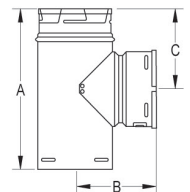
45° Elbow

SIZE	STOCK #	LIST PRICE	A	B	X	Y
7"	7BVL45 ❖	\$137.06	4 3/4"	4 3/4"	10 1/2"	10 1/2"
8"	8BVL45	\$113.21	4 3/4"	4 3/4"	10 1/4"	10 1/4"
10"	10BVL45	\$280.22	5 1/2"	5 3/4"	–	–

Standard Tee

Use for a 90° offset or to combine connectors from two or more appliances into a common vent. Branch swivels for alignment. 3"-8" feature swivel on male end.

SIZE	STOCK #	LIST PRICE	A	B	C
3"	3BVT	\$87.22	9"	4 1/2"	4 1/4"
4"	4BVT	\$100.41	9 7/8"	4 3/4"	4 3/4"
5"	5BVT	\$111.89	11"	5 1/2"	5 1/4"
6"	6BVT	\$123.01	12"	5 3/4"	5 5/8"
7"	7BVT ❖	\$162.68	13"	6 5/16"	6 1/4"
8"	8BVT ❖	\$181.11	14"	7 3/8"	7"
10"	10BVT ❖	\$496.88	17 1/2"	8 1/2"	8 3/4"



SOME BRANDS ARE ONLY AVAILABLE IN SELECTED AREAS, SEE MAP ON PAGE 4 OR CONTACT YOUR REGIONAL SALES MANAGER FOR MORE INFO.

Pricing, model numbers and availability are subject to change without notice. Call for most current information.

❖ – Non Stock Special Order - NO RETURNS or CANCELLATIONS

RMI Ph: 800-628-5044

raymurray.com

Venting Components – B-Vent

Tee Cap

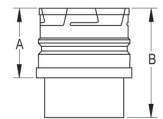
Use to cap standard tee or increaser tee. Remove tee cap to inspect the system; clean out debris or collected condensate from the common vent. Fits on inner liner.



SIZE	STOCK #	LIST PRICE
3"	3BVTC	\$7.04
4"	4BVTC	\$8.20
5"	5BVTC	\$10.12
6"	6BVTC ❖	\$11.28
7"	7BVTC ❖	\$22.32
8"	8BVTC ❖	\$24.32
10"	10BVTC ❖	\$45.50

Draft Hood Connector

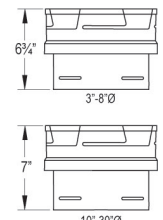
Use to connect appliance or single-wall connector to vent system.



SIZE	STOCK #	LIST PRICE	A	B
3"	3BVC	\$27.28	3"	6"
4"	4BVC	\$29.51	3"	6"
5"	5BVC	\$30.00	3"	6"
6"	6BVC ❖	\$35.73	3"	6"
7"	7BVC ❖	\$83.23	3"	6"
8"	8BVC ❖	\$53.13	3"	6"
10"	10BVC ❖	\$127.35	4"	7 3/8"

Increaser

SIZE	STOCK #	LIST PRICE
3" x 4"	3BVX4 ❖	\$54.81
4" x 6"	4BVX6 ❖	\$57.38
5" x 6"	5BVX6 ❖	\$56.18



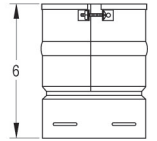
SOME BRANDS ARE ONLY AVAILABLE IN SELECTED AREAS, SEE MAP ON PAGE 4 OR CONTACT YOUR REGIONAL SALES MANAGER FOR MORE INFO.

Pricing, model numbers and availability are subject to change without notice. Call for most current information.

Female Adapter

Use to connect listed type B gas vent system manufactured by other companies to existing DuraVent type B gas vent.

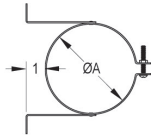
SIZE	STOCK #	LIST PRICE
3"	3BVAF	\$41.54
4"	4BVAF	\$42.58
5"	5BVAF	\$43.47
6"	6BVAF	\$44.43
7"	7BVAF	\$108.21
8"	8BVAF	\$173.11



Wall Strap

Use to provide support for offsets and horizontal vents.

SIZE	STOCK #	LIST PRICE	A
3"	3BVWS	\$24.00	3 5/8"
4"	4BVWS	\$45.70	4 5/8"
5"	5BVWS	\$51.16	5 5/8"
6"	6BVWSB	\$99.36	6 5/8"
7"	7BVWSB ❖	\$118.97	7 5/8"
8"	8BVWSB	\$119.21	8 5/8"



Support Assembly

Use to support vent at ceiling level.

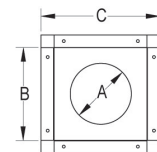
SIZE	STOCK #	LIST PRICE	A	Plate Dimensions
3"	3BVVS ❖	\$60.72	3 5/8"	17" x 10"
4"	4BVVS ❖	\$62.99	4 5/8"	17" x 10"
5"	5BVVS ❖	\$64.71	5 5/8"	17" x 12"
6"	6BVVS ❖	\$65.56	6 5/8"	17" x 12"
7"	7BVVS ❖	\$83.23	7 5/8"	17" x 12"
8"	8BVVS ❖	\$82.96	8 5/8"	17" x 12"



Firestop Spacer

Use at every ceiling level where square firestop support is not used.

SIZE	STOCK #	LIST PRICE	A	B	C
3"	3BVFS	\$17.58	3 3/4"	5 3/4"	7 3/4"
4"	4BVFS	\$17.58	4 3/4"	6 3/4"	8 3/4"
5"	5BVFS	\$17.58	5 3/4"	7 3/4"	9 3/4"
6"	6BVFS	\$17.58	6 3/4"	8 3/4"	10 3/4"
7"	7BVFS ❖	\$62.43	7 3/4"	9 3/4"	11 5/8"
8"	8BVFS	\$33.88	8 3/4"	10 3/4"	12 5/8"
10"	10BVFS	\$151.77	10 3/4"	12 3/4"	15"



SOME BRANDS ARE ONLY AVAILABLE IN SELECTED AREAS, SEE MAP ON PAGE 4 OR CONTACT YOUR REGIONAL SALES MANAGER FOR MORE INFO.

Pricing, model numbers and availability are subject to change without notice. Call for most current information.

❖ - Non Stock Special Order - NO RETURNS or CANCELLATIONS

RMI Ph: 800-628-5044

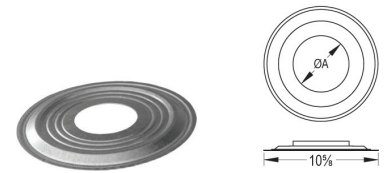
raymurray.com

Venting Components – B-Vent

Pipe Collar

Use for decorative purpose.

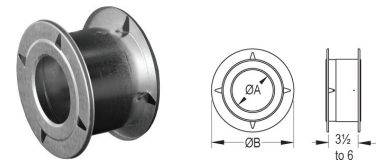
SIZE	STOCK #	LIST PRICE	A
3"	3BVPC	\$10.19	3 3/4"
4"	4BVPC	\$10.33	4 3/4"
5"	5BVPC	\$10.73	5 3/4"
6"	6BVPC	\$13.53	6 3/4"



Wall Thimble

Use for through-the-wall system to provide clearances for vent from combustibles.

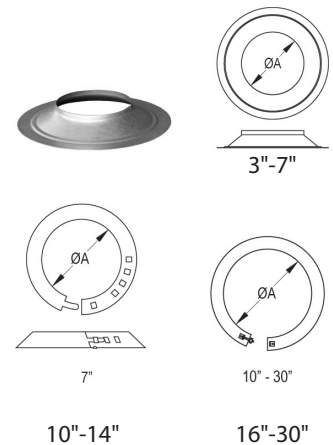
SIZE	STOCK #	LIST PRICE	A	B
3"	3BVWT	\$45.71	3 3/4"	7 1/2"
4"	4BVWT	\$46.97	4 3/4"	8 1/2"
5"	5BVWT	\$52.22	5 3/4"	9 1/2"
6"	6BVWT	\$79.34	6 3/4"	10 1/2"
7"	7BVWT ❖	\$71.22	7 3/4"	11 1/2"
8"	8BVWT	\$80.44	8 3/4"	12 1/2"



Storm Collar

Use to maintain a weather tight resistant seal between the pipe and the flashing.

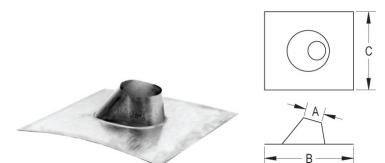
SIZE	STOCK #	LIST PRICE	A
3"	3BVSC	\$6.68	3 5/8"
4"	4BVSC	\$8.11	4 5/8"
5"	5BVSC	\$16.33	5 5/8"
6"	6BVSC	\$17.09	6 5/8"
7"	7BVSC ❖	\$20.07	7 5/8"
8"	8BVSC	\$20.90	8 5/8"
10"	10BVSC	\$30.86	11"



Adjustable Roof Flashing

Use to weather proof the penetration of vent pipe through the roof. Storm collar required.

SIZE	STOCK #	LIST PRICE	A	B	C
3"	3BVF	\$26.54	3 5/8"	16"	16"
4"	4BVF	\$29.95	4 5/8"	17"	17"
5"	5BVF	\$47.56	5 5/8"	18 3/8"	18 3/8"
6"	6BVF	\$65.63	6 3/4"	19 1/4"	19 1/4"
7"	7BVF ❖	\$81.55	7 3/4"	20 5/8"	20 5/8"
8"	8BVF	\$86.39	8 3/4"	21 1/2"	21 1/2"
10"	10BVF ❖	\$116.58	12 1/2"	26 1/8"	26"

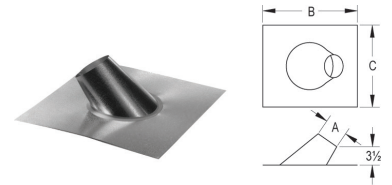


SOME BRANDS ARE ONLY AVAILABLE IN SELECTED AREAS, SEE MAP ON PAGE 4 OR CONTACT YOUR REGIONAL SALES MANAGER FOR MORE INFO.

Pricing, model numbers and availability are subject to change without notice. Call for most current information.

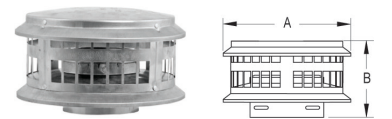
Steep Roof Flashing

SIZE	STOCK #	LIST PRICE	A	B	C
3"	3BVFSR ❖	\$73.76	3 3/4"	19 3/4"	14 3/4"
4"	4BVFSR ❖	\$77.62	4 3/4"	19 3/4"	14 3/4"
5"	5BVFSR ❖	\$86.39	5 3/4"	22"	16 13/16"
6"	6BVFSR	\$111.36	6 3/4"	22"	16 13/16"
7"	7BVFSR ❖	\$134.53	7 3/4"	27 7/8"	18 3/16"
8"	8BVFSR ❖	\$173.72	8 3/4"	27 7/8"	18 3/16"



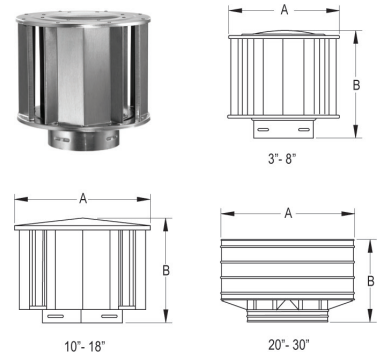
Vertical DuraCap

SIZE	STOCK #	LIST PRICE	A	B
3"	3BVDC	\$37.55	8"	5"
4"	4BVDC	\$39.74	8"	5"
5"	5BVDC	\$54.17	11"	7 1/2"
6"	6BVDC	\$67.71	11"	7 1/2"
7"	7BVDC ❖	\$81.39	15"	7 1/4"
8"	8BVDC ❖	\$95.10	15"	7 1/4"



Vertical High-Wind Cap

SIZE	STOCK #	LIST PRICE	A	B
3"	3BVVTH	\$42.01	7 1/2"	7 1/4"
4"	4BVVTH	\$44.97	8 1/2"	8 1/4"
5"	5BVVTH	\$60.02	9 1/2"	9 3/8"
6"	6BVVTH	\$77.78	10 1/2"	9 1/4"
7"	7BVVTH ❖	\$122.63	11 1/2"	11 3/4"
8"	8BVVTH	\$121.50	12 1/2"	12 3/4"
10"	10BVVT	\$328.46	17 1/2"	16"



SOME BRANDS ARE ONLY AVAILABLE IN SELECTED AREAS, SEE MAP ON PAGE 4 OR CONTACT YOUR REGIONAL SALES MANAGER FOR MORE INFO.

Pricing, model numbers and availability are subject to change without notice. Call for most current information.

❖ – Non Stock Special Order - NO RETURNS or CANCELLATIONS

RMI Ph: 800-628-5044

raymurray.com