

SERIES EPB



SERIES EPBGMT

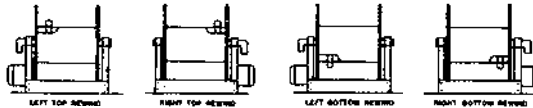


SERIES EPBGMB



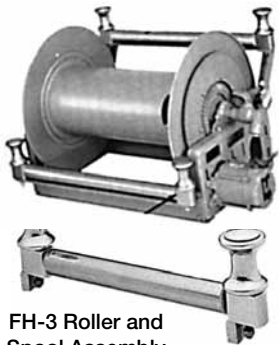
HOW TO ORDER: SPECIFY ALL ITEMS

- Complete series and model number
- Location of inlet/outlet and rewind motor when facing hose connection
- All assemblies are also available in stainless steel (SS prefix) or aluminum (SB prefix) construction
- Voltage for electric rewind motor
- 90° or straight swivel joint
- Size and thread of outlet riser



Standard Electric Reel	Guide-Master Bottom Mount	Guide-Master Top Mount	RMI Part Number	Hose Capacity of Reel in Feet		Reel Dimensions in Inches										
				I.D.	3/4"	1"	Dimensions E, F and G are overall envelope dimensions									
				O.D.	1 9/32"	1 9/16"	A	B	C	E	F	G	H	J	K	
EPB	EPBGMB	EPBGMT	28-23-24	225	140	25 1/2"	20"	10 1/2"	23"	32"	23"	12"	19"	6 1/2"		
			30-23-24	250	150	27 1/2"	22"	10 1/2"	23"	34"	23"	12"	19"	6 1/2"		
			32-33-24	275	175	29 1/2"	24"	10 1/2"	23"	36"	23"	12"	19"	6 1/2"		
			22-28-29	275	200	19 1/2"	13 1/2"	10 1/2"	28"	26"	30"	14 3/4"	26 1/2"	6 1/2"		
			22-25-26	210	130	19 1/2"	13 1/2"	10 1/2"	25"	26"	27"	15"	25"	6 1/2"		
			24-25-26	230	150	21"	15 1/2"	10 1/2"	24"	24 1/8"	27"	15"	25"	6 1/2"		
			26-25-26	275	175	23"	17 1/2"	10 1/2"	25"	30"	27"	15"	25"	6 1/2"		
			22-33-34	250	150	19"	13 1/2"	10 1/2"	31 3/4"	26 5/8"	33 5/8"	17 3/4"	31"	6 1/2"		
			18-33-34	210	130	15"	9 1/2"	10 1/2"	31 3/4"	22 5/8"	33 5/8"	17 3/4"	31"	6 1/2"		

HOSE REEL GUIDES



FH-3 Roller and Spool Assembly



GM-700-EP Guidemaster

RMI Part No.	Description	Size Available
GM-700-EP	Guidemaster only	All
GM-700-EP-B*	Includes Bottom Mount Bracket	All
GM-700-EP-T*	Includes Top Mount Bracket	All
FH-3*	Roller and Spool Assembly	All

*Specify reel frame dimensions and RMI Reel Model No. for proper match

STATIC GROUNDING REELS



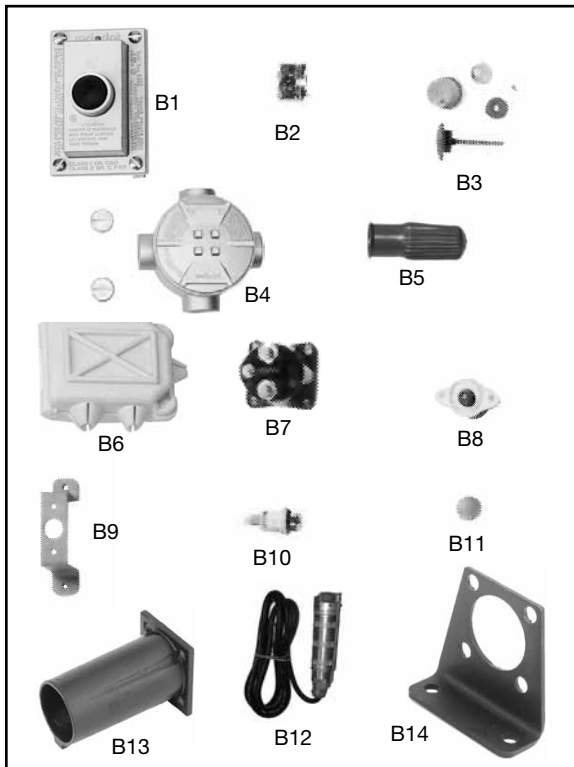
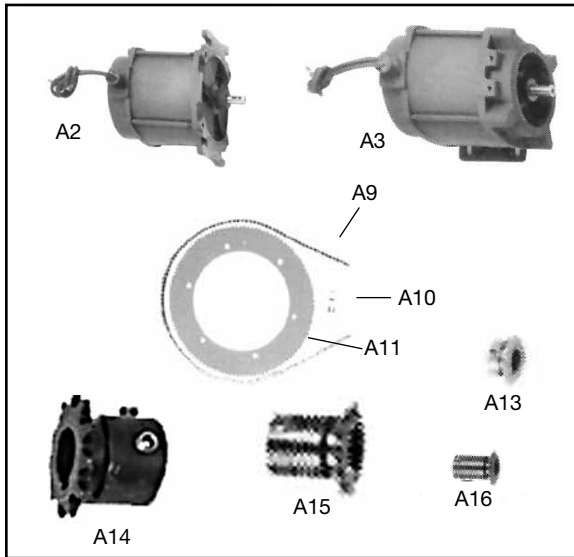
HGR-50-50

- Safe & reliable for grounding bobtails & transports.
- Heavy Duty Reel for extended life & durability

RMI Part No.	Type	Cable Length	Diameter	Diameter	
				Height	Width
HGR-50-50	Heavy Duty	50'	1/8"	17 1/2"	14 1/2"
HGR-100-100	Heavy Duty	100'	1/8"	17 1/2"	16 3/4"



MOTORS, SPROCKETS, CHAIN



HOSE REEL CONTROL SWITCH COVERS

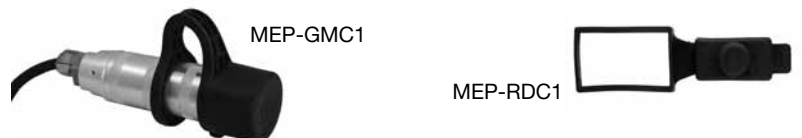
These covers are intended to protect Hannay® Hose Reel Control Switches from moisture and/or other contaminants during over-the-road transit. The MEP-GMC1 is specifically designed to fit Hannay® Guidemaster® control switches while MEP-RDC1 is specifically designed to fit Hannay® red DOT EPS style control switches. Both of these covers fit snugly over the control to help prevent damage due to moisture or other contaminants thereby increasing the longevity of the control switch.

© Ray Murray Inc. Edition 11

Item No.	RMI Part No.	Hannay Part No.	Description
A2	001	9915.0003	12V Flange Mount Explosion-Proof Motor
A3	002	9915.0013	12V Base Mount Explosion-Proof Motor
A9	35C10	9912.0001	10' Length #35 Chain w/Connecting Link
A10	HR-35	9912.0010	Connecting Link for #35 Chain
A11	138T35	9910.1423	138T35 Disc Sprocket, 16 ^{5/8} " Diameter (E-Coated)
A13	11T35A	9910.1116	11T35 Motor Sprocket, 3/4" Long
A14	11T35D	9910.1117	11T35 Motor Sprocket, 1 1/16" Long
A15	11T35B	9910.1118	11T35 Motor Sprocket, 1 9/16" Long
A16	11T35C	9910.1119	11T35 Motor Sprocket, 1 3/4" Long
Not Shown	9915.0283	9915.0283	12V Flange Mount w/ Drain
	180T35	9910.1526	Disc Sprocket 21 3/4" Dia.
	HR-27	9916.0080	Motor Key
	9910.0917	9910.0917	9T40 Sprocket 1 5/16" long
	9910.0919	9910.0919	9T40 Sprocket 1 3/4" long
	9910.3121	9910.3121	104T40 Disk Sprocket 16.85" diameter
	9910.3125	9910.3125	134T40 Disk Sprocket 21.62" long
	9915.0009	9915.0009	12V DC Flange 2/3 HP Motor
9912.0008	9912.0008	#40 Chain per foot	

SWITCHES AND ELECTRICAL

Item No.	RMI Part No.	Hannay Part No.	Description
B1	EXPB-2A	9917.0001	Red Dot EXPB-2A Switch (12 Volt)
B2	800T-XDI	9917.0014	Red Dot Internal Switch for EXPB-2A
B3	HR-34	9917.0015	Red Dot Repair Kit
B4	JBC-1	9917.0060	Red Dot 5-Port Round Junction Box/Cover
B5	9917.0062	9917.0062	#6 Wire Nut (For Red Dot Junction Box)
B6	9917.0063	9917.0063	Insulated "Bug" Connector
B7	S-12V	9917.0025	12 Volt Solenoid (Diode-Suppressed)
B8	CDLM-50	9917.0021	CDLM Circuit Breaker (Specify Amperage)
B9	9917.0026	9917.0026	CB-1 Mounting Bracket (for Circuit Breaker)
B10	90018	9917.0006	Push-Button 12 Volt Switch (Less Cap)
B11	83280	9917.0008	Rubber Cap (For Push Button Switch)
B12	EPS-1	9917.0203	EPS-1 Switch (Used with Guidemaster)
B13	9917.0207	9917.0207	Mounting Bracket
B14	9917.0206	9917.0206	GH-1565 Extension Bracket
Not Shown	9917.0030	9917.0030	Square Jct. Box Complete
	HR-45	9955.0008	Strain Relief Connector
	MEP-GMC1		Weather Cover for EPS-1
	MEP-RDC1		Weather Cover for EXPB-2A

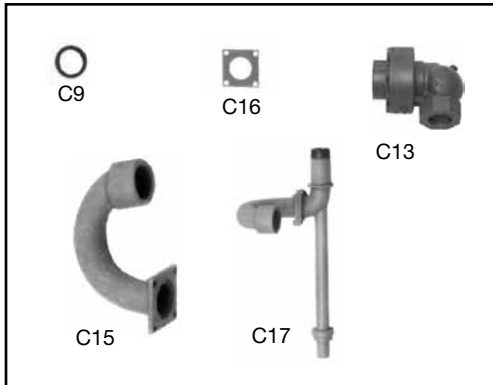


RMI Part No.	Description
MEP-GMC1	Hose Reel Control Switch Cover for Guidemaster® Control Arm
MEP-RDC1	Hose Reel Control Switch Cover for Red DOT EPS

TRUCK & PLANT METERS AND REELS

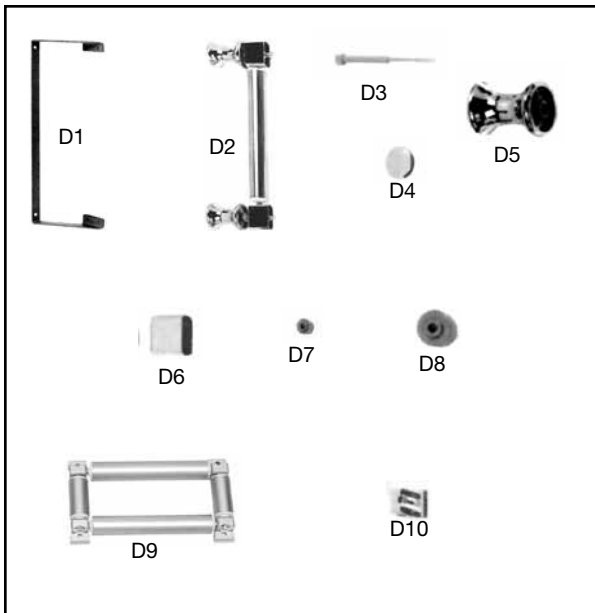


TRUCK & PLANT METERS AND REELS



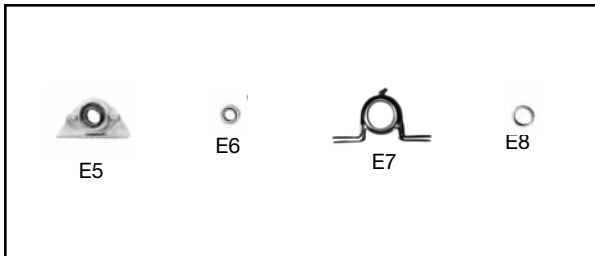
SWIVEL JOINTS, RISERS, HUB ASSEMBLIES

Item No.	RMI Part No.	Hannay Part No.	Description
C9	PK-1	9936.0640	1½" PK-1 Packing (Buna Seal)
C13	SMAC-1-½	9930.0531	1½" 90° FxF Full-Circle Swivel
C15	HR-76	9901.3760	1½" FIPT-Iron Flanged Riser
C16	H-150G	9965.0021	H-150G Gasket for 1½" Riser
C17	HR-78	9901.2840	1½" Hub Assy Complete (Specify Model)
Not Shown	3115627	--	Thixogrease HP Lubricant 14 oz.



ROLLER ASSEMBLIES, CABLE GUIDES, HOSE STOPS

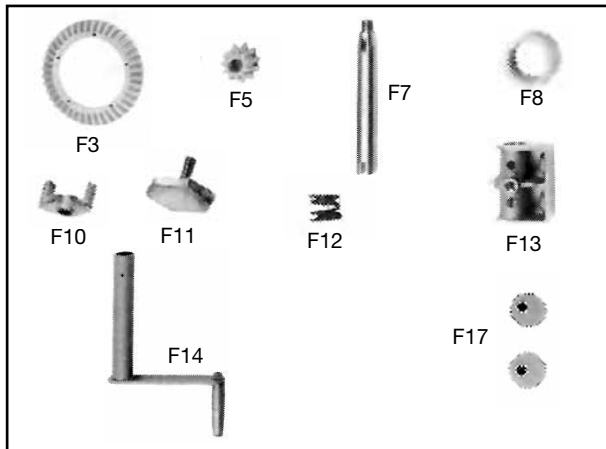
Item No.	RMI Part No.	Hannay Part No.	Description
D1	GM-TCB	9941.0003	Top Wind FH-3 Mtg. Brkt. (Specify Model)
D2	FH-3	9939.0042	FH-3 Roller & Spool Assy. (Specify Model)
D3	FH-307	9940.0012	FH-307 Delrin-Over-Steel Step Bolt
D4	FH-309	9940.0004	FH-309 Chrome Snap Cap
D5	FH-301	9940.0005	FH-301 Spool
D6	FH-302	9940.0006	FH-302 Block
D7	FH-303-15	9940.0007	FH-303-15 (1.5") Trunion Bearing
D8	FH-303-2	9940.0008	FH-303-2 (2") Trunion Bearing
D9	9939-0062	9939.0062	Utility Hose Roller Assy. "C" (Spec. Model)
D10	EH-650	9940.0076	EH-650 Mounting Block (Plated)
Not Shown	UR-A	9939.0060	Utility Roller Assembly (Spec. Model)
	HR-95	9904.5300	7/16" Hex Nut
	HR-96	9954.0027	7/16" Lock Washer
	HR-97	9940.0014	7/16" Nylon Washer
	HR-98	9954.0009	7/16" Flat Washer



BEARINGS

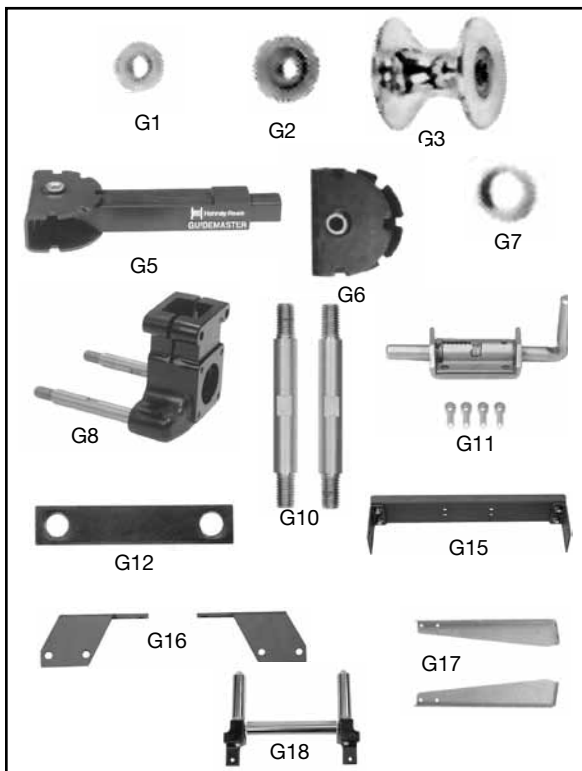
Item No.	RMI Part No.	Hannay Part No.	Description
E5	HR-25	9902.1400	1" S.A. Ball Bearing Complete
E6	HR-23	9902.1500	1" S.A. Ball Bearing Insert
E7	9902.1610	9902.1610	1½" S.A. Ball Bearing Complete
E8	996	9902.1700	1½" S.A. Bronze Ball Bearing Insert
Not Shown	9902.1630	9902.1630	1 Complete w/Grease Fitting
	9902.1730	9902.1730	1 Bronze Insert w/Grease Fitting

© Ray Murray Inc. Edition 11



REWIND ASSEMBLIES, BRAKES, RATCHETS

Item No.	RMI Part No.	Hannay Part No.	Description
F3	H-26	9914.0372	H-26 Ring Gear
F5	H-27	9914.0393	H-27 Pinion Gear
F7	HR-05	9914.0250	Pinion Shaft
F8	9914.0351	9914.0351	Pinion Shaft Collar
F10	H-2A	9914.0243	H-2A Pinion Shaft Bearing
F11	H-30A	9914.0413	H-30A Brake Wheel
F12	H-31	9914.0451	H-31 Brake Spring
F13	H-3	9914.0433	H-3 Brake Pad
F14	H-18	9914.0011	H-18 Hand Crank
F17	9947.0035	9947.0035	Comet Brake Assembly (IV-Style)
Not Shown	HR-06	9954.0003	Spacer Washer
	HR-08	9904.5600	5/8" Hex Nut



GUIDEMASTER PARTS AND BRACKETS

Item No.	RMI Part No.	Hannay Part No.	Description
G1	GM-608	9945.0026	GM Ball Bearing (For GM-609 Roller)
G2	GM-108	9945.0044	GM-108 Ball Bearing (For GM-109 Roller)
G3	GM-609	9945.0019	GM-609 Roller w/GM Bearing
G5	9944.0040	9944.0040	GM-700 Guide Arm Body Assy w/Mtg. Yoke
G6	GM-611	9945.0009	GM Mounting Yoke w/Bronze Bushing
G7	GM-616	9945.0011	GM Oil-Impregnated Bronze Bushing
G8	9945.1001	9945.1001	GM Roller Body w/Mtg. Bolts
G10	9945.1005	9945.1005	GM Roller Mtg. Bolts
G11	9945.1003	9945.1003	Pinlock Assy for GM 700
G12	9945.1004	9945.1004	GM Roller Bolt Mounting Plate
G15	GM-BMB	9945.0035	GM Cross Member Assembly (3 Pieces) (Specify Model)
G16	9945.0036	9945.0036	GM Bottom-Wind Brackets (Pair)
G17	9945.0037	9945.0037	GM Top-Wind Brackets (Pair)
G18	9939.0069	9939.0069	Assy. B-Roller (w/Spl. Mtg. Brackets) for Bottom-Wind Guidemaster Reels

© Ray Murray Inc. Edition 11

TRUCK & PLANT METERS AND REELS