

# Venting Components – B-Vent

## B-Vent

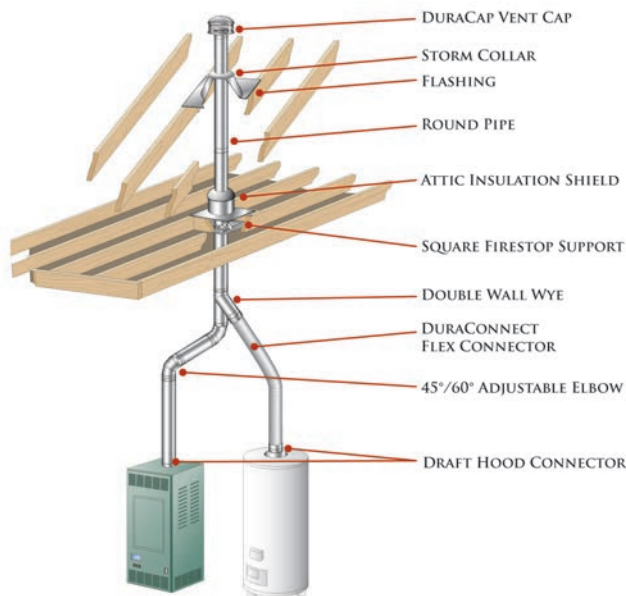
### Installation Key

1	DuraCap	14	Increaser
2	Storm Collar	15	Draft Hood Connector
3	Roof Flashing	16	Square Firestop Support
4	High-Wind Cap	17	Oval Pipe
5	Round Pipe	18	Oval to Round Adaptor
6	Elbow	19	Oval Tee
7	Tee	20	Oval Tee Cap
8	Tee Cap	21	Oval Tee Support
9	Increaser Tee	22	Oval Firestop Spacer
10	Female Flex Adaptor	23	DuraConnect II
11	Male Adaptor	24	DuraFlex AL Length
12	Double-Wall Wye	25	DuraFlex Motar Sleeve
13	Pipe Collar	26	DuraFlex AL Coupling

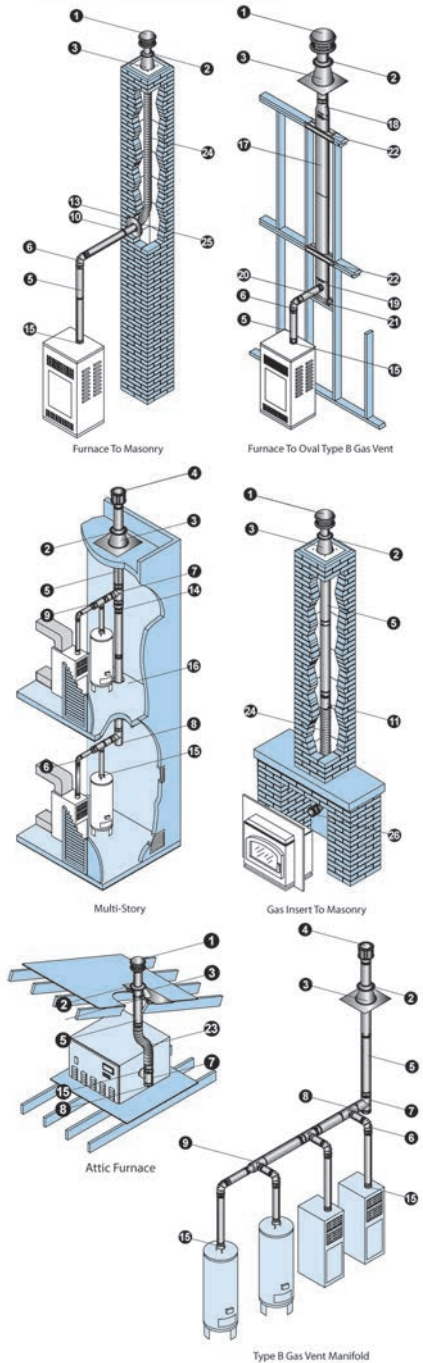
### Applications

**DuraVent's** Type B Gas Vent system. Use w/ NG or liquid propane category I and draft hood equipped appliances, and appliances tested and listed to use Type B Gas Vent.

Applications include: NG fireplaces, gas-fired furnaces, boilers, water heaters, and wall or space heating applications.



### Typical Installations

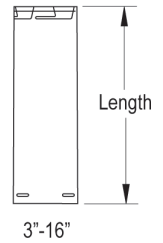


**SOME BRANDS ARE ONLY AVAILABLE IN SELECTED AREAS, SEE MAP ON PAGE 4 OR CONTACT YOUR REGIONAL SALES MANAGER FOR MORE INFO.**

Pricing, model numbers and availability are subject to change without notice. Call for most current information.

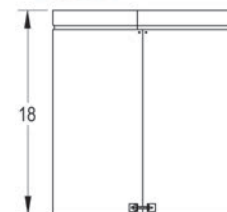
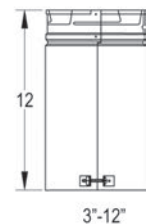
## Round Rigid Pipe

SIZE	LENGTH	STOCK #	LIST PRICE	SIZE	LENGTH	STOCK #	LIST PRICE
3"	12"	3GV12	\$18.30	6"	6"	6GV06	\$30.88
3"	18"	3GV18	\$26.65	6"	12"	6GV12	\$31.69
3"	24"	3GV24	\$29.39	6"	18"	6GV18	\$36.63
3"	36"	3GV36	\$37.90	6"	24"	6GV24	\$50.97
3"	48"	3GV48	\$50.46	6"	36"	6GV36	\$66.20
3"	60"	3GV60	\$62.01	6"	48"	6GV48	\$85.42
4"	6"	4GV06	\$23.00	6"	60"	6GV60	\$100.12
4"	12"	4GV12	\$22.28	7"	6"	7GV06 ❖	\$42.98
4"	18"	4GV18	\$27.15	7"	12"	7GV12 ❖	\$46.95
4"	24"	4GV24	\$34.97	7"	18"	7GV18 ❖	\$58.28
4"	36"	4GV36	\$48.09	7"	24"	7GV24	\$73.05
4"	48"	4GV48	\$62.22	7"	36"	7GV36	\$96.65
4"	60"	4GV60	\$75.24	7"	48"	7GV48	\$122.71
5"	12"	5GV12	\$27.09	7"	60"	7GV60 ❖	\$149.93
5"	18"	5GV18	\$32.05	8"	12"	8GV12	\$51.98
5"	24"	5GV24	\$42.44	8"	18"	8GV18	\$59.27
5"	36"	5GV36	\$57.15	8"	24"	8GV24	\$84.12
5"	48"	5GV48	\$73.57	8"	36"	8GV36	\$107.47
5"	60"	5GV60	\$86.87	8"	48"	8GV48	\$147.10
				8"	60"	8GV60	\$170.87
				10"	18"	10GV18	\$150.31
				10"	36"	10GV36	\$212.75



## Round Adjustable Pipe

SIZE	LENGTH	STOCK #	LIST PRICE
3"	3" – 10"	3GV12A	\$25.12
4"	3" – 10"	4GV12A	\$30.46
5"	3" – 10"	5GV12A	\$35.27
6"	3" – 10"	6GV12A	\$38.93
7"	3" – 10"	7GV12A	\$49.57
8"	3" – 10"	8GV12A	\$59.15
10"	3" – 10"	10GV12A	\$157.04



**SOME BRANDS ARE ONLY AVAILABLE IN SELECTED AREAS, SEE MAP ON PAGE 4 OR CONTACT YOUR REGIONAL SALES MANAGER FOR MORE INFO.**

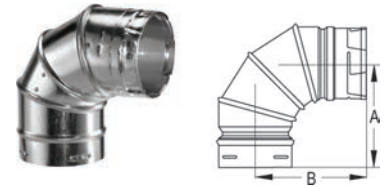
Pricing, model numbers and availability are subject to change without notice. Call for most current information.

❖ – Non Stock Special Order - NO RETURNS or CANCELATIONS

## 90° Adjustable Elbow

Offsets obstructions as needed. Elbows (3"-8") swivel 360° at base. 90° elbow is adjustable from 0° to 90° in sizes 3'-10". Elbows must be supported when installed.

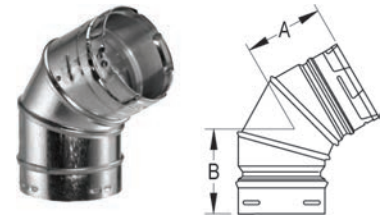
SIZE	STOCK #	LIST PRICE	A	B
3"	3GVL90	\$52.50	5 1/2"	5 1/4"
4"	4GVL90	\$62.15	6"	5 1/2"
5"	5GVL90	\$76.94	6 1/2"	6 1/2"
6"	6GVL90	\$88.86	6 3/4"	6 3/4"
7"	7GVL90	\$135.81	7 3/4"	7 1/2"
8"	8GVL90	\$136.59	7 3/4"	7 1/2"
10"	10GVL90	\$232.85	10 1/4"	9 5/8"



## 45°/60° Adjustable Elbow

Offsets obstructions as needed. Elbows swivel 360° at base. 45°/60° elbow is adjustable from 0° to 60°. Elbows must be supported when installed.

SIZE	STOCK #	LIST PRICE	A	B
3"	3GVL45	\$30.21	4"	4"
4"	4GVL45	\$36.67	4 1/2"	4 1/2"
5"	5GVL45	\$42.13	4 1/2"	4 1/2"
6"	6GVL45	\$50.97	5"	5"



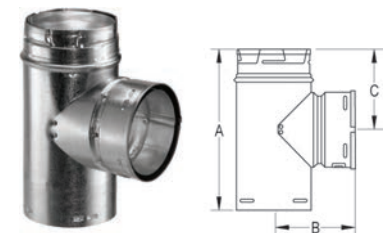
## 45° Elbow

SIZE	STOCK #	LIST PRICE	A	B	X	Y
7"	7GVL45	\$104.69	4 3/4"	4 3/4"	10 1/2"	10 1/2"
8"	8GVL45	\$86.47	4 3/4"	4 3/4"	10 1/4"	10 1/4"
10"	10GVL45	\$206.12	5 1/2"	5 3/4"	-	-

## Standard Tee

Use for a 90° offset or to combine connectors from two or more appliances into a common vent. Branch swivels for alignment. 3"-8" feature swivel on male end.

SIZE	STOCK #	LIST PRICE	A	B	C
3"	3GVT	\$66.62	9"	4 1/2"	4 1/4"
4"	4GVT	\$76.70	9 7/8"	4 3/4"	4 3/4"
5"	5GVT	\$85.46	11"	5 1/2"	5 1/4"
6"	6GVT	\$93.97	12"	5 3/4"	5 5/8"
7"	7GVT ❖	\$124.26	13"	6 5/16"	6 1/4"
8"	8GVT ❖	\$138.34	14"	7 3/8"	7"



**SOME BRANDS ARE ONLY AVAILABLE IN SELECTED AREAS, SEE MAP ON PAGE 4 OR CONTACT YOUR REGIONAL SALES MANAGER FOR MORE INFO.**

Pricing, model numbers and availability are subject to change without notice. Call for most current information.

## Tee Cap

Use to cap standard tee or increaser tee. Remove tee cap to inspect the system; clean out debris or collected condensate from the common vent. Fits on inner liner.



SIZE	STOCK #	LIST PRICE
3"	3GVTC	\$5.38
4"	4GVTC	\$6.26
5"	5GVTC	\$7.73
6"	6GVTC ❖	\$8.61
7"	7GVTC ❖	\$17.05
8"	8GVTC	\$18.57

## Draft Hood Connector

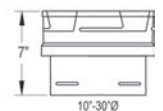
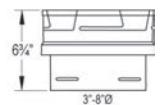
Use to connect appliance or single-wall connector to vent system.



SIZE	STOCK #	LIST PRICE	A	B
3"	3GVC	\$20.83	3"	6"
4"	4GVC	\$22.53	3"	6"
5"	5GVC	\$22.91	3"	6"
6"	6GVC	\$27.29	3"	6"
7"	7GVC ❖	\$63.58	3"	6"
8"	8GVC ❖	\$40.58	3"	6"

## Increaser

SIZE	STOCK #	LIST PRICE
3" x 4"	3GVX4 ❖	\$41.86
3" x 6"	3GVX6 ❖	\$49.35
4" x 6"	4GVX6	\$43.83
5" x 6"	5GVX6	\$42.91
5" x 7"	5GVX7 ❖	\$132.24
5" x 8"	5GVX8 ❖	\$99.18



**SOME BRANDS ARE ONLY AVAILABLE IN SELECTED AREAS, SEE MAP ON PAGE 4 OR CONTACT YOUR REGIONAL SALES MANAGER FOR MORE INFO.**

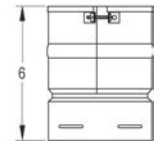
Pricing, model numbers and availability are subject to change without notice. Call for most current information.

❖ – Non Stock Special Order - NO RETURNS or CANCELATIONS

## Female Adaptor

Use to connect listed type B gas vent system manufactured by other companies to existing DuraVent type B gas vent.

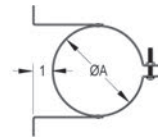
SIZE	STOCK #	LIST PRICE
3"	3GVAF ❖	\$31.72
4"	4GVAF	\$32.46
5"	5GVAF ❖	\$33.20
6"	6GVAF ❖	\$33.94
7"	7GVAF ❖	\$82.65
8"	8GVAF ❖	\$132.24



## Wall Strap

Use to provide support for offsets and horizontal vents.

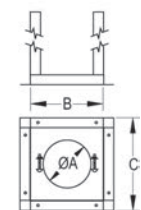
SIZE	STOCK #	LIST PRICE	A
3"	3GVWS	\$25.88	3 5/8"
4"	4GVWS	\$27.13	4 5/8"
5"	5GVWS	\$27.49	5 5/8"
6"	6GVWS	\$27.84	6 5/8"
7"	7GVWS ❖	\$31.29	7 5/8"
8"	8GVWS	\$33.59	8 5/8"



## Square Firestop Support

Use to support vent at ceiling level.

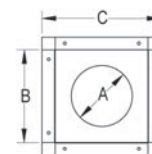
SIZE	STOCK #	LIST PRICE	A	B	C
3"	3GVRS	\$32.81	3 3/4"	5 3/4"	7 3/4"
4"	4GVRS ❖	\$36.47	4 3/4"	6 3/4"	8 3/4"
5"	5GVRS	\$40.81	5 3/4"	7 3/4"	9 3/4"
6"	6GVRS	\$41.70	6 3/4"	8 3/4"	10 3/4"
7"	7GVRS ❖	\$77.14	7 3/4"	9 3/4"	11 3/4"
8"	8GVRS ❖	\$82.65	8 3/4"	10 3/4"	12 3/4"



## Firestop Spacer

Use at every ceiling level where square firestop support is not used.

SIZE	STOCK #	LIST PRICE	A	B	C
3"	3GVFS	\$13.42	3 3/4"	5 3/4"	7 3/4"
4"	4GVFS	\$13.42	4 3/4"	6 3/4"	8 3/4"
5"	5GVFS	\$13.42	5 3/4"	7 3/4"	9 3/4"
6"	6GVFS	\$13.42	6 3/4"	8 3/4"	10 3/4"
7"	7GVFS ❖	\$47.68	7 3/4"	9 3/4"	11 5/8"
8"	8GVFS	\$25.88	8 3/4"	10 3/4"	12 5/8"
10"	10GVFS	\$75.25	10 3/4"	12 3/4"	15"



**SOME BRANDS ARE ONLY AVAILABLE IN SELECTED AREAS, SEE MAP ON PAGE 4 OR CONTACT YOUR REGIONAL SALES MANAGER FOR MORE INFO.**

Pricing, model numbers and availability are subject to change without notice. Call for most current information.

## Pipe Collar

Use for decorative purpose.

SIZE	STOCK #	LIST PRICE	A
3"	3GVPC	\$7.78	3 3/4"
4"	4GVPC	\$7.89	4 3/4"
5"	5GVPC	\$8.20	5 3/4"
6"	6GVPC	\$10.33	6 3/4"



## Wall Thimble

Use for through-the-wall system to provide clearances for vent from combustibles.

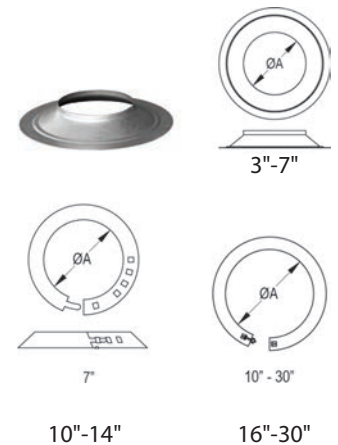
SIZE	STOCK #	LIST PRICE	A	B
3"	3GVWT	\$34.91	3 3/4"	7 1/2"
4"	4GVWT	\$35.87	4 3/4"	8 1/2"
5"	5GVWT	\$39.89	5 3/4"	9 1/2"
6"	6GVWT	\$60.61	6 3/4"	10 1/2"
7"	7GVWT ❖	\$54.40	7 3/4"	11 1/2"
8"	8GVWT	\$61.44	8 3/4"	12 1/2"



## Storm Collar

Use to maintain a weather tight resistant seal between the pipe and the flashing.

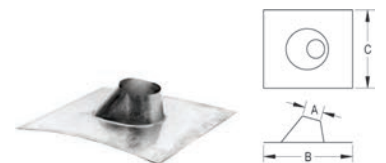
SIZE	STOCK #	LIST PRICE	A
3"	3GVSC	\$5.10	3 5/8"
4"	4GVSC	\$6.19	4 5/8"
5"	5GVSC	\$12.47	5 5/8"
6"	6GVSC	\$13.05	6 5/8"
7"	7GVSC ❖	\$15.33	7 5/8"
8"	8GVSC	\$15.96	8 5/8"
10"	10GVSC	\$22.70	11"



## Adjustable Roof Flashing

Use to weather proof the penetration of vent pipe through the roof. Storm collar required.

SIZE	STOCK #	LIST PRICE	A	B	C
3"	3GVF	\$20.77	3 5/8"	16"	16"
4"	4GVF	\$22.88	4 5/8"	17"	17"
5"	5GVF	\$36.32	5 5/8"	18 3/8"	18 3/8"
6"	6GVF	\$50.13	6 3/4"	19 1/4"	19 1/4"
7"	7GVF ❖	\$62.29	7 3/4"	20 5/8"	20 5/8"
8"	8GVF	\$65.99	8 3/4"	21 1/2"	21 1/2"
10"	10GVF ❖	\$85.75	12 1/2"	26 1/8"	26"



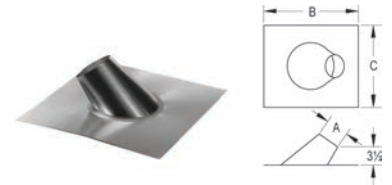
**SOME BRANDS ARE ONLY AVAILABLE IN SELECTED AREAS, SEE MAP ON PAGE 4 OR CONTACT YOUR REGIONAL SALES MANAGER FOR MORE INFO.**

Pricing, model numbers and availability are subject to change without notice. Call for most current information.

❖ – Non Stock Special Order - NO RETURNS or CANCELATIONS

## Steep Roof Flashing

SIZE	STOCK #	LIST PRICE	A	B	C
3"	3GVFSR ❖	\$56.34	3 3/4"	19 3/4"	14 3/4"
4"	4GVFSR	\$59.29	4 3/4"	19 3/4"	14 3/4"
5"	5GVFSR	\$65.99	5 3/4"	22"	16 13/16"
6"	6GVFSR	\$85.06	6 3/4"	22"	16 13/16"
7"	7GVFSR ❖	\$102.76	7 3/4"	27 7/8"	18 3/16"
8"	8GVFSR ❖	\$132.70	8 3/4"	27 7/8"	18 3/16"



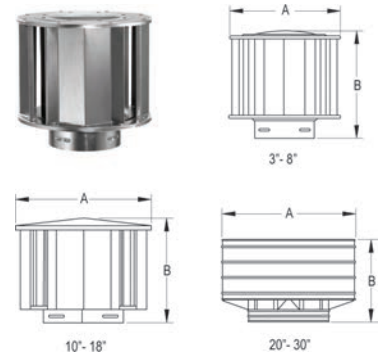
## Vertical DuraCap

SIZE	STOCK #	LIST PRICE	A	B
3"	3GVDC	\$28.69	8"	5"
4"	4GVDC	\$30.35	8"	5"
5"	5GVDC	\$41.38	11"	7 1/2"
6"	6GVDC	\$51.73	11"	7 1/2"
7"	7GVDC ❖	\$62.17	15"	7 1/4"
8"	8GVDC ❖	\$72.65	15"	7 1/4"



## Vertical High-Wind Cap

SIZE	STOCK #	LIST PRICE	A	B
3"	3GVVTH	\$32.09	7 1/2"	7 1/4"
4"	4GVVTH	\$34.35	8 1/2"	8 1/4"
5"	5GVVTH	\$45.84	9 1/2"	9 3/8"
6"	6GVVTH	\$59.42	10 1/2"	9 1/4"
7"	7GVVTH	\$93.67	11 1/2"	11 3/4"
8"	8GVVTH	\$92.81	12 1/2"	12 3/4"
10"	10GVVT	\$241.61	17 1/2"	16"



SOME BRANDS ARE ONLY AVAILABLE IN SELECTED AREAS, SEE MAP ON PAGE 4 OR CONTACT YOUR REGIONAL SALES MANAGER FOR MORE INFO.

Pricing, model numbers and availability are subject to change without notice. Call for most current information.